



# SFERE TRITTICO

design **Simone Micheli**

**EUROPEAN  
WARRANTY**

## **MATERIAL:**

Super slim heating body in painted carbon steel.

## **FIXING KIT:**

Brackets, airvent, hexagonal tool, plugs and screws for mounting suitable for use on compact or hollow brick, user notice.

The kit is certified from TÜV in compliance with VDI 6036-class 4.

## **VALVE KIT INCLUDES FOR STANDARD VERSION:**

### **(ONLY FOR STANDARD VERSION):**

Valves with thermostatic head  
Fittings for copper pipe (Ø 12/14/15)  
Fittings for multilayer pipe (Ø 16)  
Ready - to install pipe connection kit

## **FOR WALL-FIT VERSION THE VALVES MUST BE PURCHASED SEPARATELY VERSION FOR WALL-FIT VALVES INCLUDES:**

2x1/2" connections

## **PACKAGING:**

The radiator is protected by a film in polyethylene and with a carton box.  
User notice included.

## **PAINTING PROCESS:**

Painted with ecological epoxy. (Certificate DIN 55900-1,-2).  
Thermal outputs certified in accredited laboratories in compliance with European norm EN442.

## **COLOURS:**

Radiator and accessories: standard white colour R01.

## PRODUCT CERTIFICATES



Pression maximale de service: 5 bar

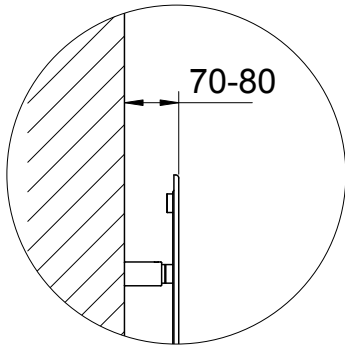
Température maximale de service: 110° C

Available for central heating systems

Connexions: n° 2 x 1/2" gaz - n° 1 x 1/2" gaz

## AWARD

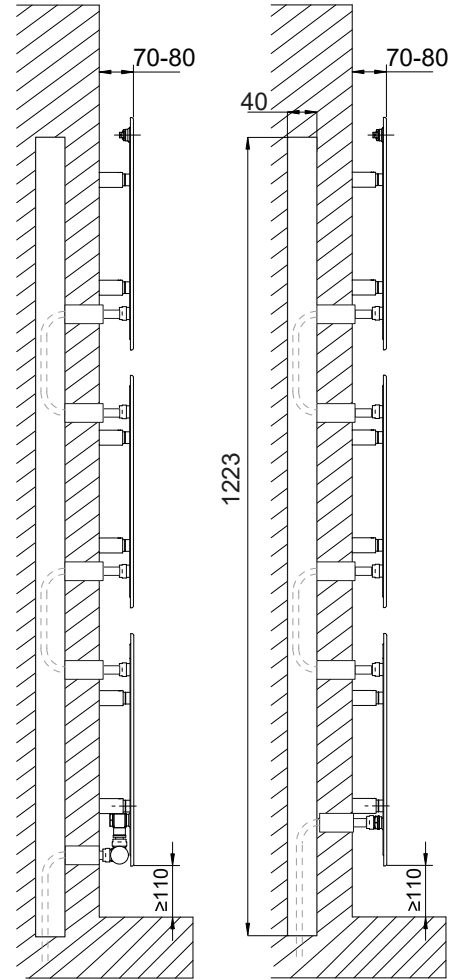
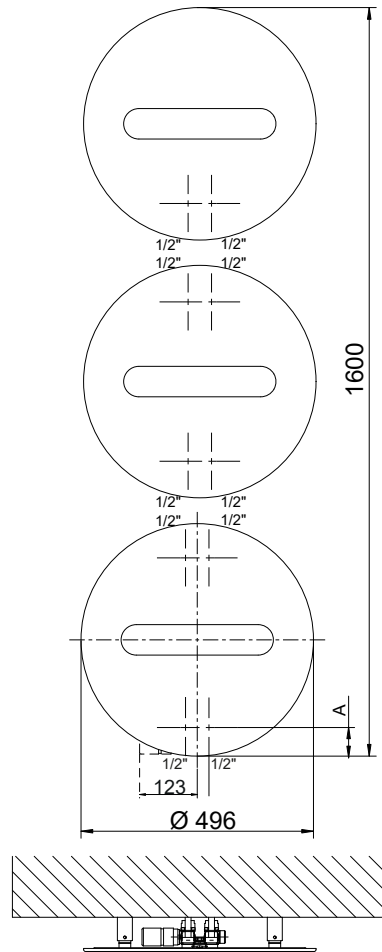




**BUILT-IN CONNECTIONS  
FOR SFERE TRITTICO**



TUTORIAL  
INSTALLING  
THE CONNECTION KIT



**STANDARD  
VERSION**

**VERSION FOR  
WALL-FIT VALVES**

**SFERE TRITTICO**

Art. Nr.	Diameter D [mm]	Pipe Centres I [mm]	A [mm]	Dry Weight [Kg]	Surface [m <sup>2</sup> ]	Water Content [lt]	Thermal output Watt		Exponent n
							$\Delta t = 50^{\circ}\text{C}$	$\Delta t = 30^{\circ}\text{C}$	
<b>STANDARD VERSION</b> 3540806100221	<b>496</b>	50	24	24,3	1,2	0,9	582	316	1,195
<b>VERSION WALL-FIT VALVES</b> 3540806100226	<b>496</b>	50	93	24,3	1,2	0,9	582	316	1,195

Art. Nr. are referred to colour WHITE R01 - version.

Standard version, is inclusive of VALVE, HOLDER and THERMOSTATIC HEAD, compliant with UNI EN215:2007 and DM 19/02/2017.

Wall fit version includes only 2 x 1/2" connections.

For output at different  $\Delta t$  than 50°C, please refer to the following formula: desired output = output at  $\Delta t$  50°C x (desired  $\Delta t$ /50)<sup>n</sup>



# SFERE

design **Simone Micheli**

**EUROPEAN  
WARRANTY**

## MATERIAL:

Super slim heating body in painted carbon steel.

## FIXING KIT:

Brackets, airvent, hexagonal tool, plugs and screws for mounting suitable for use on compact or hollow brick, user notice.

The kit is certified from TÜV in compliance with VDI 6036-class 4.

## VALVE KIT INCLUDES FOR STANDARD VERSION:

### (ONLY FOR STANDARD VERSION):

Valves with thermostatic head

Fittings for copper pipe (Ø 12/14/15)

Fittings for multilayer pipe (Ø 16)

Ready - to install pipe connection kit

## FOR WALL-FIT VERSION THE VALVES MUST BE PURCHASED SEPARATELY VERSION FOR WALL-FIT VALVES INCLUDES:

2x1/2" connections

## PACKAGING:

The radiator is protected by a film in polyethylene and with a carton box. User notice included.

## PAINTING PROCESS:

Painted with ecological epoxy. (Certificate DIN 55900-1,-2).

Thermal outputs certified in accredited laboratories in compliance with European norm EN442.

## COLOURS:

Radiator and accessories: standard white colour R01.

## PRODUCT CERTIFICATES



Pression maximale de service: 5 bar

Température maximale de service: 110° C

Available for central heating systems

Connexions: n° 2 x 1/2" gaz - n° 1 x 1/2" gaz

## AWARD



SFERE with wall-fit valves



Wall-fit valves (OPTIONAL)



## ACCESSORIES

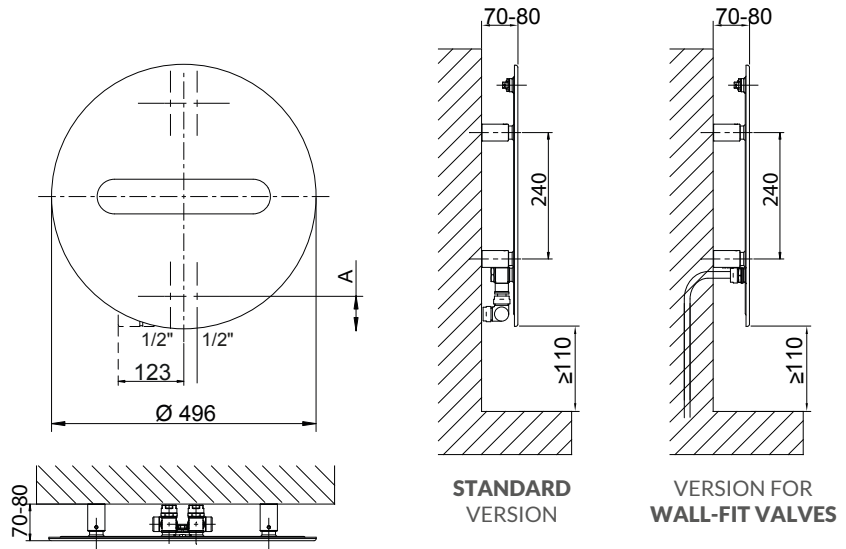
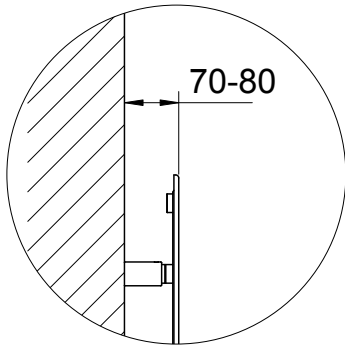


### Manual wall-fit valves

Fitting for wall-fit valves  
Copper connection Ø 12/14/15  
Art. Nr. 5991170300001

Fitting for wall-fit valves  
Multilayer connection Ø 16  
Art. Nr. 5991170300002

Wall-fit valves  
Art. Nr. 5991990311226



## SFERE

	Art. Nr.	Diameter		Pipe Centres	A	Dry Weight	Surface	Water Content	Thermal output Watt		Exponent n
		D [mm]	I [mm]						$\Delta t = 50^{\circ}\text{C}$	$\Delta t = 30^{\circ}\text{C}$	
STANDARD VERSION	3540806100211	<b>496</b>	50	50	24	0,35	0,3	194	105	1,1950	1,195
VERSION WALL-FIT VALVES	3540806100212	<b>496</b>	50	50	93	0,35	0,3	194	105	1,1950	1,195

Art. Nr. are referred to colour WHITE R01 - version.

standard version is inclusive of valve and holder.

Wall fit version includes only 2 x 1/2" connections.

For output at different  $\Delta t$  than  $50^{\circ}\text{C}$ , please refer to the following formula: desired output = output at  $\Delta t 50^{\circ}\text{C}$  x (desired  $\Delta t/50$ )<sup>n</sup>