



RETRO^Ò ELECTRIC

EUROPEAN
WARRANTY

MATERIAL:
Brass elements

FIXING KIT:

- Fixing brackets already integrated on towel rail with plugs and screws included
- User notice

PACKAGING:
The towel rail is protected by a recyclable film in polyethylene and with a box in recyclable carton.
User notice included.

FINISH:
Chrome, Antique Bronze, Antique Gold.

PRODUCT CERTIFICATES






Electrical resistors: CLASS 1

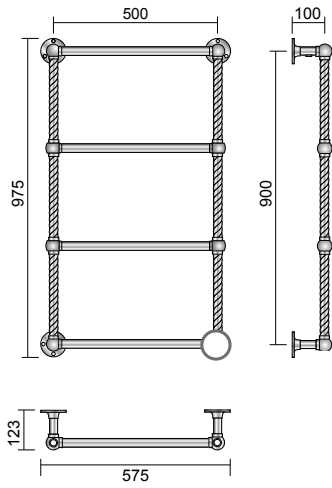
Minimum class protection: IP 55

Wire Length: 1500 mm

Electrical only: • Cable without plug to be connected on a ON-OFF switcher - not included

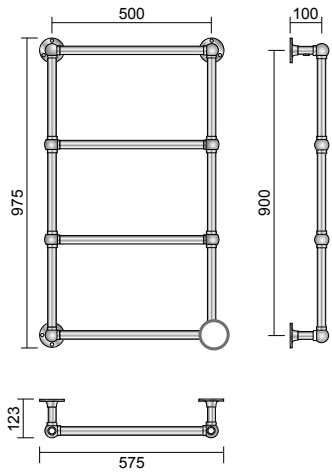
ACCESSORIES

	Sleeving kit ANTIQUE GOLD Art. Nr. 5103000000077		Sleeving kit CHROME Art. Nr. 5103000000080		Sleeving kit ANTIQUE BRONZE Art. Nr. 5103000000078
---	--	---	--	---	--



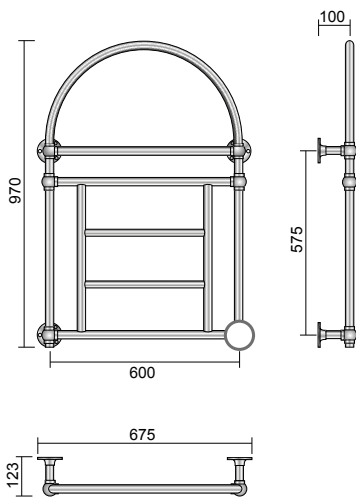
RETRÒ I ELECTRIC

Art. Nr.	Height	Width	Finish	Watt
	H [mm]	L [mm]		
3581330000001	975	575	ANTIQUE GOLD	100
3581330000002			CHROME	
3581330000003			ANTIQUE BRONZE	



RETRÒ II ELECTRIC

Art. Nr.	Height	Width	Finish	Watt
	H [mm]	L [mm]		
3581330000011	975	575	ANTIQUE GOLD	100
3581330000012			CHROME	
3581330000013			ANTIQUE BRONZE	



RETRÒ III ELECTRIC

Art. Nr.	Height	Width	Finish	Watt
	H [mm]	L [mm]		
3581330000021	970	675	ANTIQUE GOLD	150
3581330000022			CHROME	
3581330000023			ANTIQUE BRONZE	