



# FRAME VERTICAL

**EUROPEAN  
WARRANTY**

## MATERIAL:

Horizontal collector in painted carbon steel with  $\varnothing$  of 30 mm  
Heating elements in painted carbon steel  
Heating plate in painted carbon steel

## FIXING KIT:

Brackets, airvent, hexagonal tool, plugs and screws for mounting suitable for use on compact or hollow brick, user notice.  
The kit is certified from TÜV in compliance with VDI 6036-class 4.

## PACKAGING:

The radiator is protected by a film in polyethylene and with a carton box.  
User notice included.

## PAINTING PROCESS:

Painted with ecological epoxy. (Certificate DIN 55900-1,-2).  
Thermal outputs certified in accredited laboratories in compliance with European norm EN442.

## COLOURS:

Radiator and accessories: standard white colour R01.

## PRODUCT CERTIFICATES



Pression maximale de service: 5 bar

Température maximale de service: 110° C

Available for central heating systems

Connexions: n° 2 x 1/2" gaz - n° 1 x 1/8" gaz

## HOW TO ORDER THE VERTICAL FRAME RADIATORS

### ARTICLE CODE STRUCTURE

| Radiator model | Radiator dimensions | Article code of the connection | Article code of the color / finish<br>Different color from standard (R01 - R02)<br>surcharge +30% | Constant value |
|----------------|---------------------|--------------------------------|---|----------------|
| AAAA           | BBB CC              | DDD                            | EEE   | B              |

### Example

| Radiator model<br>Example: Frame radiator | Radiator dimensions<br>Example: mm 464x1822 | Article code of the connection<br>Example: connection V09 | Article code of the finish<br>Example: White color R01 | Constant value |
|---|---|---|--|----------------|
| FRST                                      | 464 18                                      | V09   | R01  | B              |

### EXAMPLE OF ARTICLE CODE CREATION

In case of a FRAME VT  
464x1822 mm radiator with  
V09 connection.

The article code will be:

**FRST 464 18 V09 R01 B**

## ACCESSORIES



**Elegant square manual valve kit painted pure white R01**

Copper connection  $\varnothing$  12/14/15  
Art. Nr. 5991990310553

Multilayer connection  $\varnothing$  16  
Art. Nr. 5991990310552



**Tinta valve pipe centres 50 mm with thermostatic head - right**

Copper connection  $\varnothing$  12/14/15  
Art. Nr. 5991990311217

Multilayer connection  $\varnothing$  16  
Art. Nr. 5991990311216



**Kit 3 Towel bar verniciati FOR MODELS**

L. 352 (L= 404 mm)  
Art. Nr. 5991990310569

L. 464 (L= 516 mm)  
Art. Nr. 5991990310570

L. 576 (L= 628 mm)  
Art. Nr. 5991990310571

L. 688 (L= 740 mm)  
Art. Nr. 5991990310572

## LYNEA ACCESSORIES

by Marco Pisati



**TOWEL BAR LEFT  
L. 274 mm**

**H30 Green Apple**

Art. Nr. 5991990332190



**Hook  
L. 180 mm x H. 270 mm**

**H30 Green Apple**

Art. Nr. 5991990310604

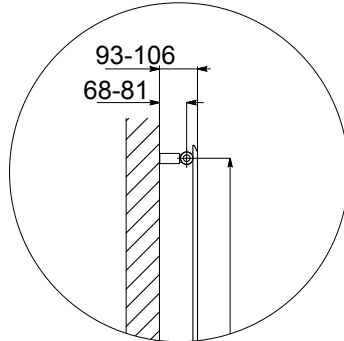
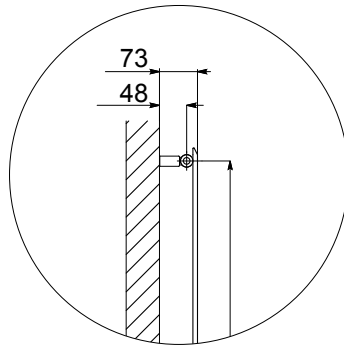
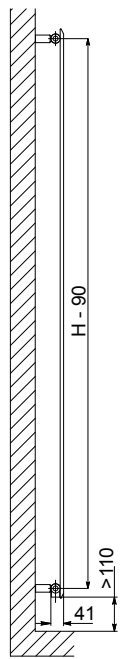
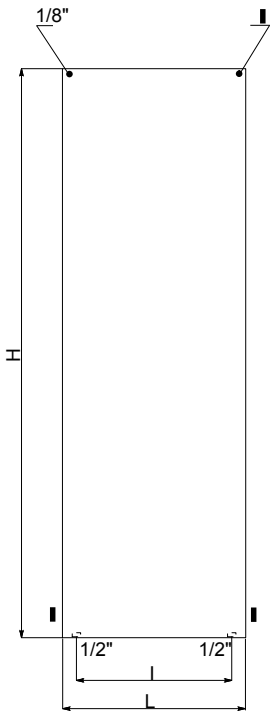


**Wood shelf  
L. 286 mm**

**Oak Moka Textured**

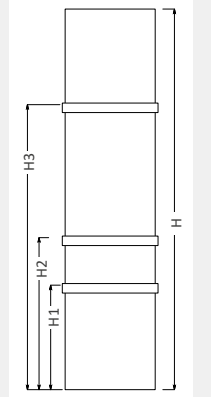
Art. Nr. 5991990500014

V09 - V10 - V11 - V12 - V13

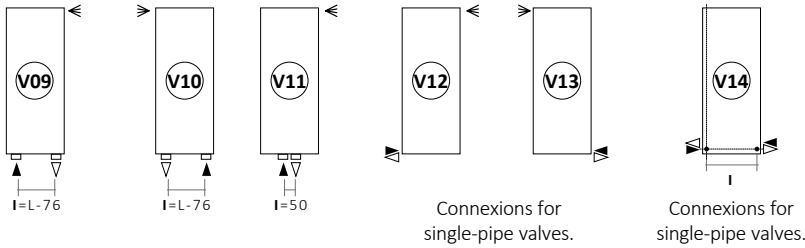


POSITIONING OF TOWEL BAR (ACCESSORIES)

| H    | H1  | H2  | H3   |
|------|-----|-----|------|
| [mm] |     |     |      |
| 1022 | 300 | 500 | 800  |
| 1222 | 400 | 600 | 1000 |
| 1422 | 400 | 700 | 1200 |
| 1622 | 500 | 800 | 1300 |
| 1822 | 500 | 800 | 1400 |
| 2022 | 500 | 800 | 1500 |



Standard Connexions



Always specify the kind of connection needed when ordering (V09 - V10 - V11 - V12 - V13 - V14).

Legend =  
 ▶ In      ▷ Out      ≪ Airvent  
 | Pipe Centres      L Width      □ Connection

FRAME VERTICAL

DDD: replace with the type of connection.

| Art. Nr.              | Height | Width  | Pipe Centres (V09- V10) | Pipe Centres (V14) | Dry Weight [Kg] | Surface [m <sup>2</sup> ] | Water Content [lt] | Thermal output Watt |           | Exponent n |
|-----------------------|--------|--------|-------------------------|--------------------|-----------------|---------------------------|--------------------|---------------------|-----------|------------|
|                       | H [mm] | L [mm] | I [mm]                  | I [mm]             |                 |                           |                    | Δt = 50°C           | Δt = 30°C |            |
| FRST 352 10 DDD R01 B | 1022   | 352    | 276                     | 168                | 7,2             | 0,75                      | 2,64               | 381                 | 197       | 1,2894     |
| FRST 464 10 DDD R01 B |        | 464    | 388                     | 280                | 9,7             | 0,98                      | 3,5                | 499                 | 258       | 1,2894     |
| FRST 576 10 DDD R01 B |        | 576    | 500                     | 392                | 12              | 1,21                      | 4,4                | 617                 | 319       | 1,2894     |
| FRST 688 10 DDD R01 B |        | 688    | 612                     | 504                | 14,6            | 1,44                      | 5,2                | 735                 | 380       | 1,2894     |
| FRST 352 12 DDD R01 B | 1222   | 352    | 276                     | 168                | 8,6             | 0,89                      | 3,02               | 455                 | 236       | 1,2881     |
| FRST 464 12 DDD R01 B |        | 464    | 388                     | 280                | 11,4            | 1,17                      | 4                  | 596                 | 309       | 1,2881     |
| FRST 576 12 DDD R01 B |        | 576    | 500                     | 392                | 14              | 1,44                      | 5,1                | 736                 | 381       | 1,2881     |
| FRST 688 12 DDD R01 B |        | 688    | 612                     | 504                | 17,2            | 1,72                      | 6,1                | 877                 | 454       | 1,2881     |
| FRST 352 14 DDD R01 B | 1422   | 352    | 276                     | 168                | 9,9             | 1,04                      | 3,5                | 529                 | 274       | 1,2867     |
| FRST 464 14 DDD R01 B |        | 464    | 388                     | 280                | 13,2            | 1,36                      | 4,6                | 692                 | 359       | 1,2867     |
| FRST 576 14 DDD R01 B |        | 576    | 500                     | 392                | 16,5            | 1,68                      | 5,9                | 856                 | 444       | 1,2867     |
| FRST 688 14 DDD R01 B |        | 688    | 612                     | 504                | 19,8            | 2,00                      | 7,00               | 1020                | 529       | 1,2867     |
| FRST 352 16 DDD R01 B | 1622   | 352    | 276                     | 168                | 11,2            | 1,16                      | 3,8                | 595                 | 309       | 1,2854     |
| FRST 464 16 DDD R01 B |        | 464    | 388                     | 280                | 14,9            | 1,55                      | 5,2                | 789                 | 409       | 1,2854     |
| FRST 576 16 DDD R01 B |        | 576    | 500                     | 392                | 18,6            | 1,94                      | 6,8                | 976                 | 506       | 1,2854     |
| FRST 352 18 DDD R01 B | 1822   | 352    | 276                     | 168                | 12,5            | 1,33                      | 4,37               | 676                 | 351       | 1,2840     |
| FRST 464 18 DDD R01 B |        | 464    | 388                     | 280                | 16,6            | 1,74                      | 5,8                | 880                 | 457       | 1,2840     |
| FRST 576 18 DDD R01 B |        | 576    | 500                     | 392                | 20,9            | 2,15                      | 7,2                | 1100                | 571       | 1,2840     |
| FRST 688 18 DDD R01 B |        | 688    | 612                     | 504                | 25              | 2,56                      | 8,7                | 1304                | 677       | 1,2840     |
| FRST 352 20 DDD R01 B | 2022   | 352    | 276                     | 168                | 13,5            | 1,47                      | 4,85               | 750                 | 390       | 1,2826     |
| FRST 464 20 DDD R01 B |        | 464    | 388                     | 280                | 18,4            | 1,93                      | 6,4                | 978                 | 508       | 1,2826     |
| FRST 576 20 DDD R01 B |        | 576    | 500                     | 392                | 23              | 2,38                      | 8                  | 1222                | 635       | 1,2826     |
| FRST 688 20 DDD R01 B |        | 688    | 612                     | 504                | 27,6            | 2,84                      | 9,6                | 1447                | 751       | 1,2826     |

Art. Nr. are referred to colour WHITE R01 version.

For output at different Δt than 50°C, please refer to the following formula: desired output = output at Δt 50°C x (desired Δt/50)<sup>n</sup>