



CELINE ELECTRIC

POLISHED STAINLESS STEEL



EUROPEAN
WARRANTY

MATERIAL:

Vertical collectors in polished stainless steel with \varnothing of 38 mm.
Horizontal heating elements in polished stainless steel 30x10 mm.
Glycolate water.

FIXING KIT:

Brackets, hexagonal tool, plugs and screws for mounting suitable for use on compact or hollow brick, user notice.

PACKAGING:

The radiator is protected by a film in polyethylene and with a carton box.
User notice included.

FEATURES:

It is totally made in stainless steel with an unalterable finishing guaranteed during the years.

PRODUCT CERTIFICATES



Electrical resistors: CLASS 1

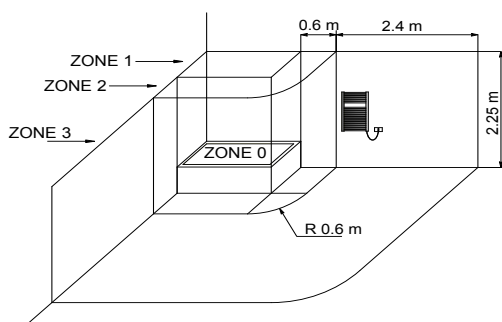
Minimum class protection: IP 44

Seasonal energy efficiency η_s : $\geq 38\%$

Wire Length: 1200 mm with Schuko plug

Electrical only: With digital thermostat and remote control

HOW TO PLACE ELECTRIC RADIATORS



The national rules on installing electrical equipment in the bathroom must be scrupulously respected. The electric radiators must be always installed outside zone 1 and 2. In particular the electric switch and control elements must be mandatorily located in zone 3, in order that no electrical control center is accessible to a anyone using the shower or bath.



All Cordivari electric radiators are in line with the new European regulation UE 2015/1188. The new regulation imposes a seasonal energy efficiency of electrical appliances for ambient heating with a nominal thermal output over 250 W and not less than 38%.

The seasonal energy efficiency of ambient heating (η_s) is expressed with the ratio between the demand of ambient heating supplied by a heating appliance and the annual energy consumption required to meet this demand, expressed as percentage. The Cordivari ErP is in line with the new Ecodesign directives, which are characterized by a great efficiency combined with the maximum attention to energy saving. In particular the radiators are at least equipped with: electronic temperature control; open window sensor; weekly program timer.

Thanks to the new fully programmable digital thermostats and sensors present on the radiators, now the new Cordivari ErP electric radiators, heat, efficiency and energy saving are the best allies of your comfort.

INCLUDED



Remote control for top digital thermostat

MAIN FEATURES AND FUNCTIONS:

CRONO: function of chrono-thermostat with daily or weekly programming with two temperature levels (Comfort/Eco)

COMFORT: Possibility of setting your own desired temperature for time slot for higher comfort

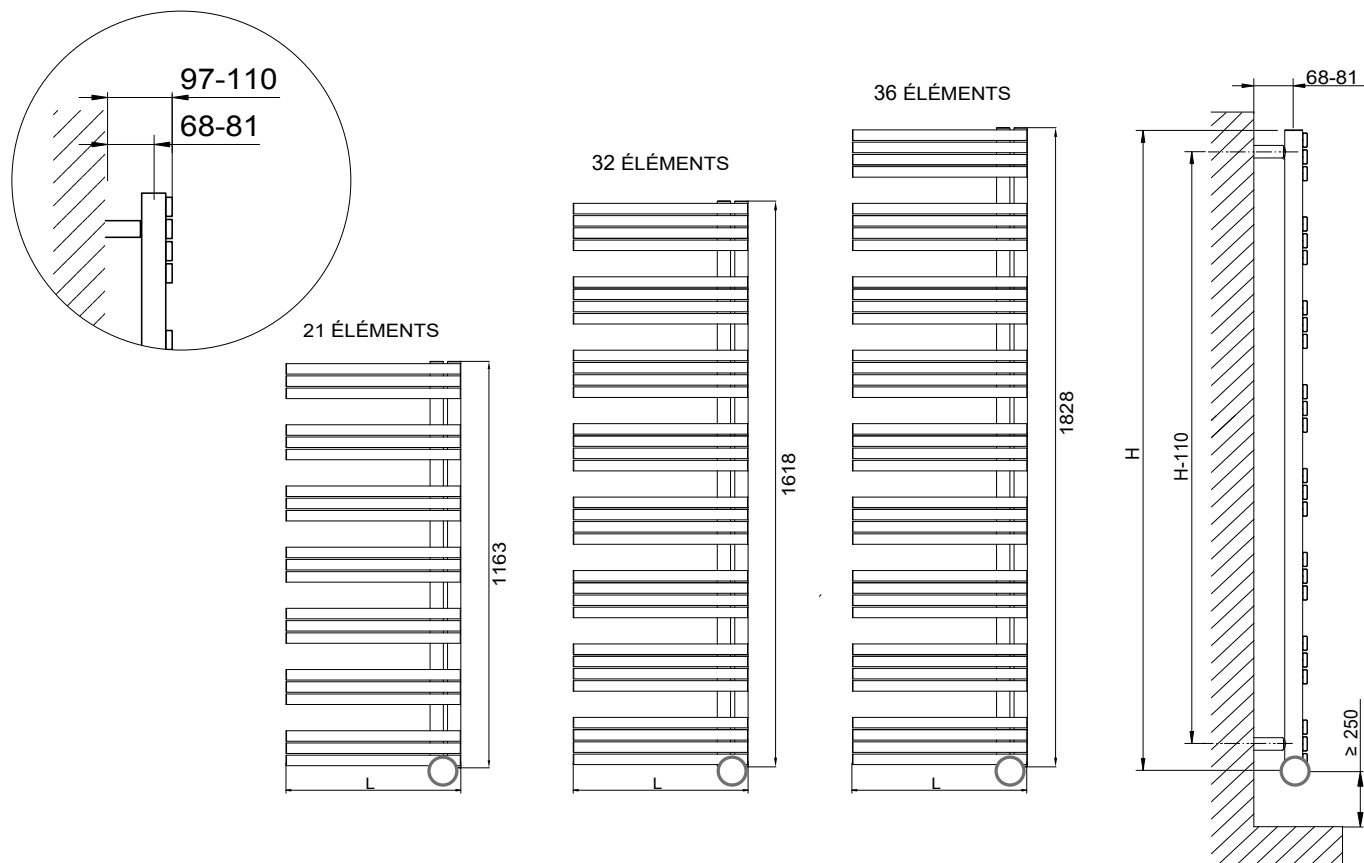
ECO: Possibility of keeping the temperature constant with lower power consumption. Useful for energy saving when the room is not occupied.

ANTI-FREEZE: Useful if the room is not used for long periods

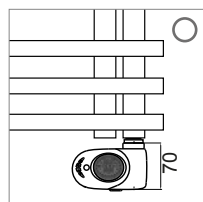
TIMER/FORCED MARCH: Useful to heat rapidly the room and dry towels thanks to 2h of forced march at max. Power.

CHILD SAFETY LOCK: special purpose lock of the display panel so to avoid any accidental alteration

REMOTE CONTROL (optional): The digital thermostat is equipped with an infrared remote control useful to manage all the aforementioned functions.



TOP DIGITAL THERMOSTAT DX

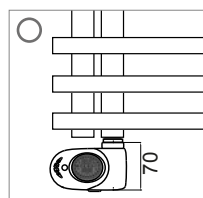


The general footprint has to be calculated considering the thermostat height

CELINE ELECTRIC - POLISHED STAINLESS STEEL

Art. Nr.	Height	Width	Thermal output	Weight
	H [mm]	L [mm]	Watt	Kg
KIT - Top digital thermostat DX (right)				
3581730400005	1163	500	400	15,5
3581730400001	1618	500	500	21,5
3581730400002	1828	500	600	24,3

TOP DIGITAL THERMOSTAT SX



The general footprint has to be calculated considering the thermostat height

CELINE ELECTRIC - POLISHED STAINLESS STEEL

Art. Nr.	Height	Width	Thermal output	Weight
	H [mm]	L [mm]	Watt	Kg
KIT - Top digital thermostat SX (left)				
3581730400006	1163	500	400	15,5
3581730400003	1618	500	500	21,5
3581730400004	1828	500	600	24,3