



# BADGE®

design **Simone Micheli**

**EUROPEAN  
WARRANTY**

### MATERIAL:

Super slim heating body in painted carbon steel.

### FIXING KIT:

Brackets, airvent, hexagonal tool, plugs and screws for mounting suitable for use on compact or hollow brick, user notice.

The kit is certified from TÜV in compliance with VDI 6036-class 4.

Fixing template scheme (only available for Badge® 1212x512)

### VALVE KIT INCLUDES:

Valves

Fittings for copper pipe (Ø 12/14/15)

Fittings for multilayer pipe (Ø 16)

### PACKAGING:

The radiator is protected by a film in polyethylene and with a carton box. User notice included.

### PAINTING PROCESS:

Painted with ecological epoxy. (Certificate DIN 55900-1,-2).

Thermal outputs certified in accredited laboratories in compliance with European norm EN442.

### COLOURS:

Radiator and accessories: standard white colour R01.

## PRODUCT CERTIFICATES



Pression maximale de service: 5 bar

Température maximale de service: 110° C

Available for central heating systems

Connexions: n° 2 x 1/2" gaz - n° 1 x 1/2" gaz

## AWARD

**DESIGN PLUS  
WINNER**

**COMFORT & DESIGN  
AWARD**

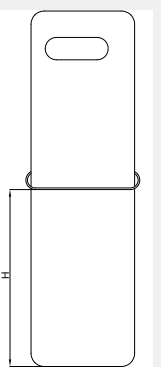
**ŁAZIENKA  
AWARD**

**PRIX DU DESIGN IDÉO BAIN  
NOMINÈ**

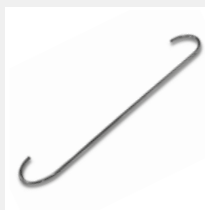


HOW TO PLACE  
TOWEL BAR  
BADGE VERTICAL  
(ACCESSORIES)

Model	H
[mm]	
1212x512	<b>800</b>
1755x512	<b>870</b>



## ACCESSORIES

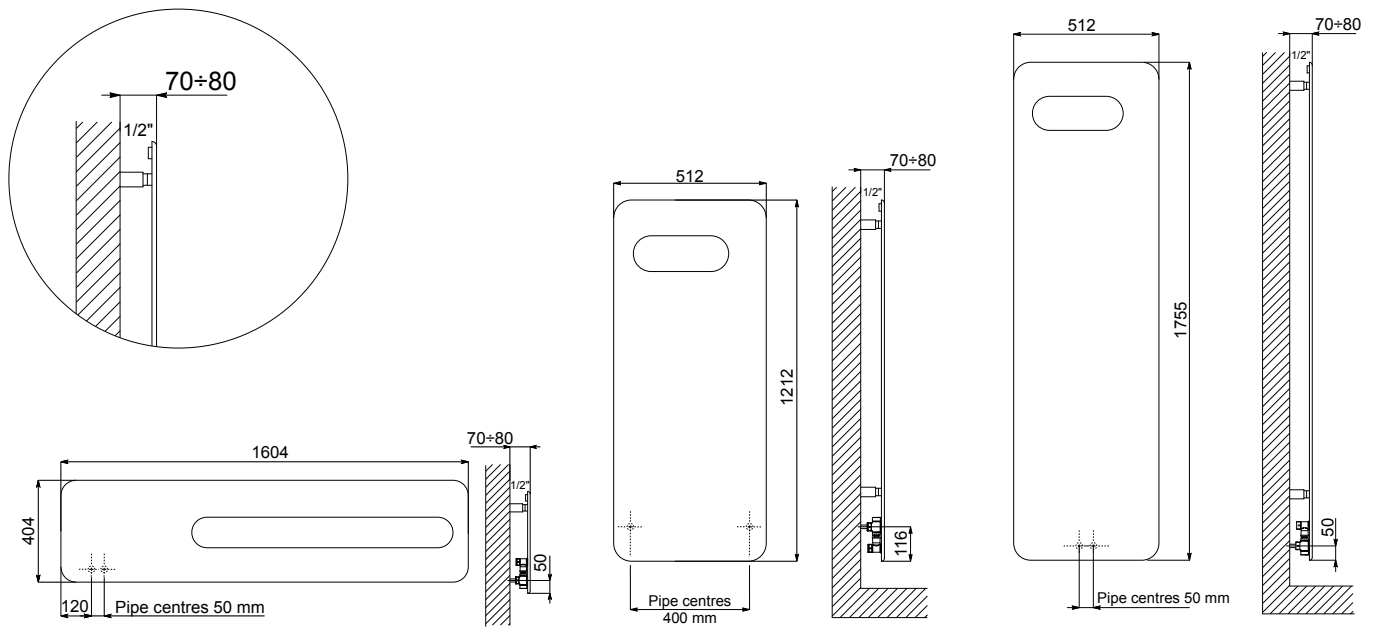


**Straight hanger polished  
stainless steel  
(L= 570 mm)**

Art. Nr. 5991990310240



Available on vertical  
BADGE®



## BADGE®

Art. Nr.	Height	Width	Pipe Centres	Dry Weight	Surface	Water Content	Thermal output Watt		Exponent n
	H [mm]	L [mm]	l [mm]	[Kg]	[m <sup>2</sup> ]	[lt]	$\Delta t = 50^{\circ}\text{C}$	$\Delta t = 30^{\circ}\text{C}$	
3540806100021	<b>404</b>	1604	50	19	0,96	1,1	572	306	1,2224
3540806100025	<b>1212</b>	512	400	20	1,12	0,8	567	301	1,2398
3540806100030	<b>1755</b>	512	50	28,5	1,66	1,2	795	436	1,1749

Art. Nr. are referred to colour WHITE R01 version.

Includes valves.

For output at different  $\Delta t$  than  $50^{\circ}\text{C}$ , please refer to the following formula:  $\text{desired output} = \text{output at } \Delta t 50^{\circ}\text{C} \times (\text{desired } \Delta t / 50)^n$



# BADGE<sup>®</sup> CONTROL

design **Simone Micheli**

**EUROPEAN  
WARRANTY**

### MATERIAL:

Super slim heating body in painted carbon steel.

### FIXING KIT:

Brackets, airvent, hexagonal tool, plugs and screws for mounting suitable for use on compact or hollow brick, user notice.

The kit is certified from TÜV in compliance with VDI 6036-class 4.

### VALVE KIT INCLUDES:

Valves with thermostatic head

Fittings for copper pipe (Ø 12/14/15)

Fittings for multilayer pipe (Ø 16)

### PACKAGING:

The radiator is protected by a film in polyethylene and with a carton box. User notice included.

### PAINTING PROCESS:

Painted with ecological epoxy. (Certificate DIN 55900-1,-2).

Thermal outputs certified in accredited laboratories in compliance with European norm EN442.

### COLOURS:

Radiator and accessories: standard white colour R01.

## PRODUCT CERTIFICATES



Pression maximale de service: 5 bar

Température maximale de service: 110° C

Available for central heating systems

Connexions: n° 2 x 1/2" gaz - n° 1 x 1/2" gaz

## AWARD

**DESIGN PLUS**  
WINNER

**COMFORT & DESIGN**  
AWARD

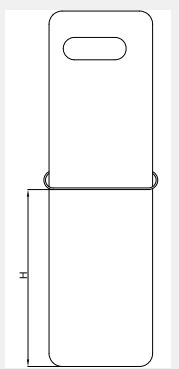
**ŁAZIENKA**  
AWARD

**PRIX DU DESIGN IDÉO BAIN**  
NOMINÈ

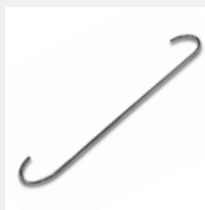


HOW TO PLACE  
TOWEL BAR  
BADGE VERTICAL  
(ACCESSORIES)

Model	H
	[mm]
1212x512	<b>800</b>
1755x512	<b>870</b>



## ACCESSORIES

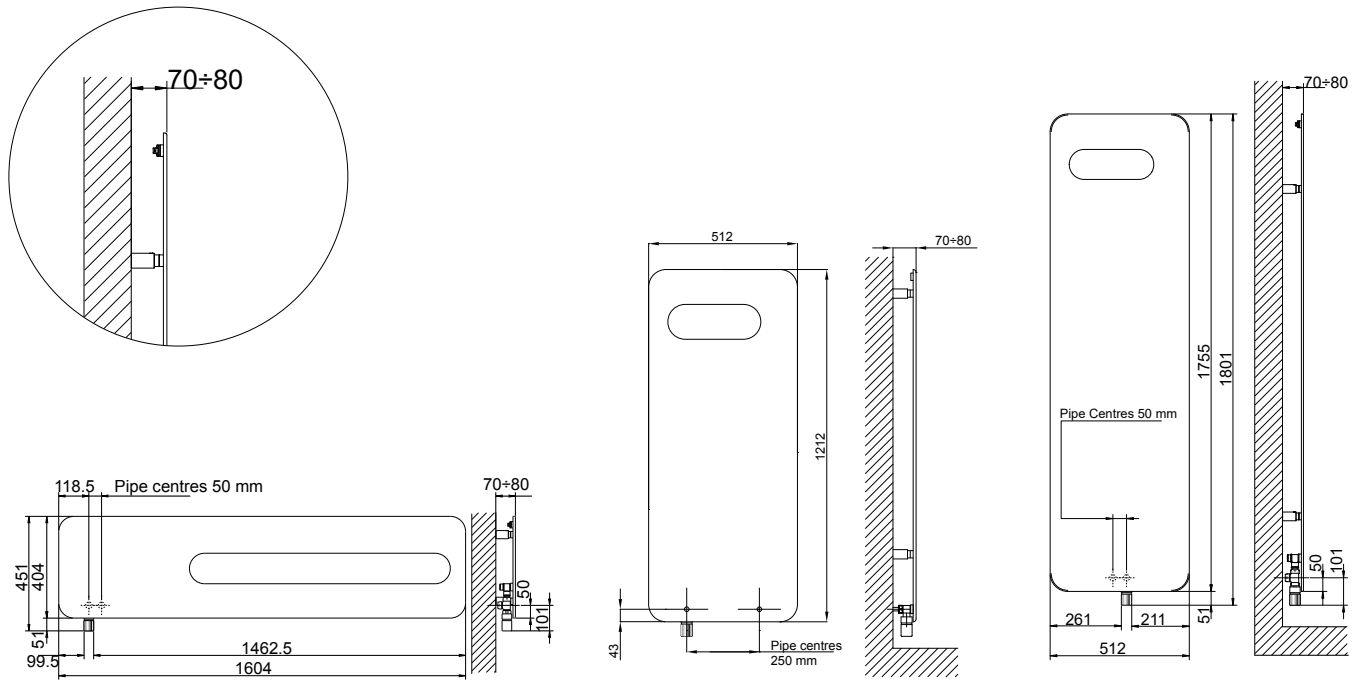


**Straight hanger polished  
stainless steel  
(L= 570 mm)**

Art. Nr. 5991990310240



Available on vertical  
BADGE<sup>®</sup>



## BADGE<sup>®</sup> CONTROL

Art. Nr.	Height	Width	Pipe Centres	Dry Weight	Surface	Water Content	Thermal output Watt		Exponent n
	H [mm]	L [mm]	I [mm]	[Kg]	[m <sup>2</sup> ]	[lt]	$\Delta t = 50^{\circ}\text{C}$	$\Delta t = 30^{\circ}\text{C}$	
3540806100041	<b>404</b>	1604	50	19	0,96	1,1	572	306	1,2224
3540806100051	<b>1212</b>	512	250	20	1,12	0,8	567	301	1,2398
3540806100050	<b>1755</b>	512	50	28,5	1,66	1,2	795	436	1,1749

Art. Nr. are referred to colour WHITE R01 version.

Include valve and thermostatic head, in accordance with EN215:2007.

For output at different  $\Delta t$  than  $50^{\circ}\text{C}$ , please refer to the following formula: desired output = output at  $\Delta t 50^{\circ}\text{C}$  x (desired  $\Delta t/50$ )<sup>n</sup>