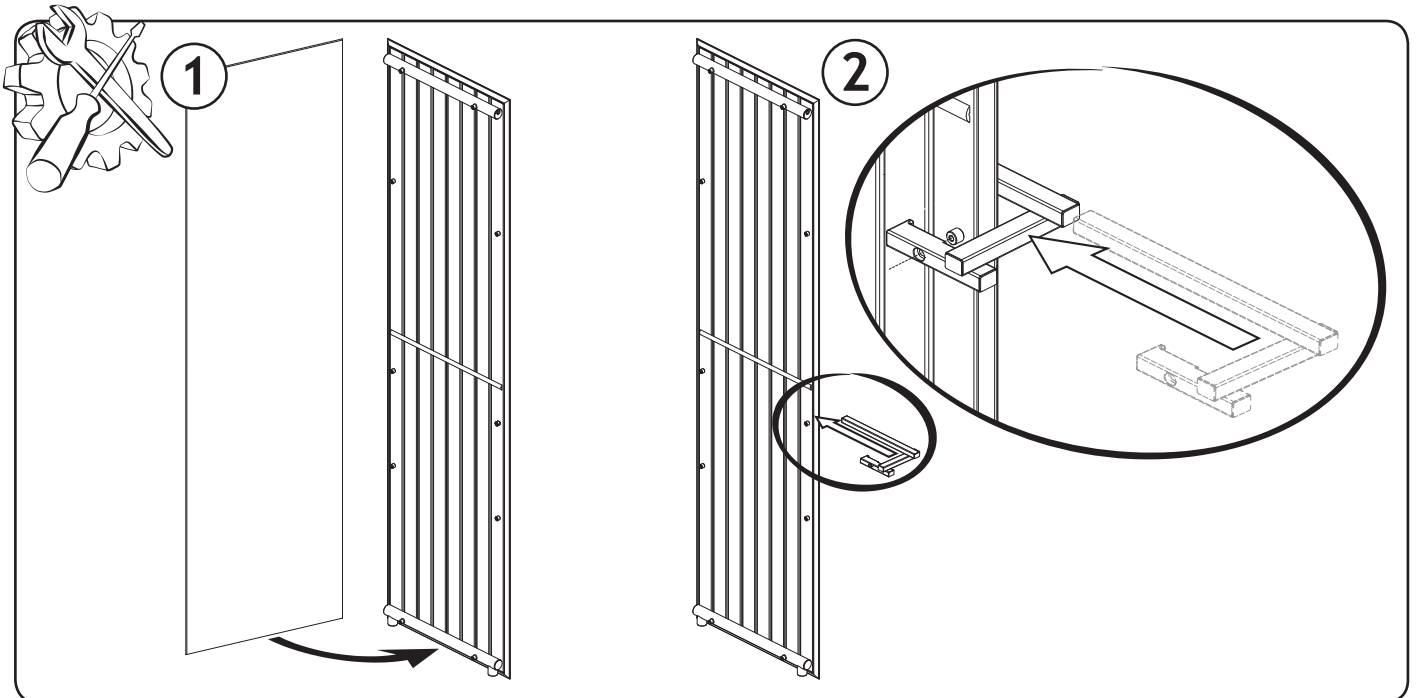
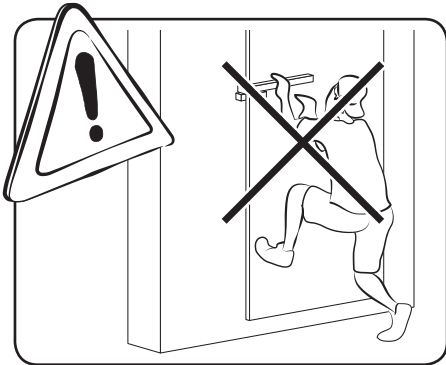
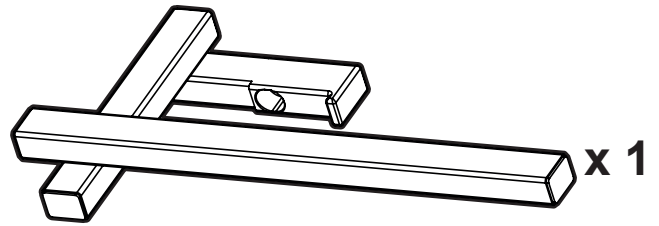
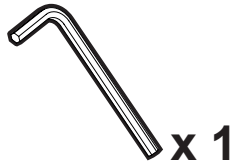
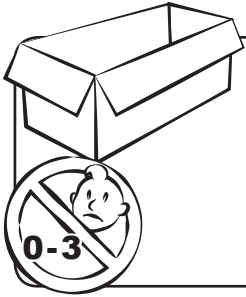
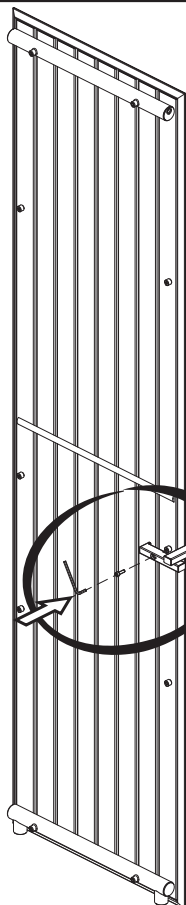


Awards:

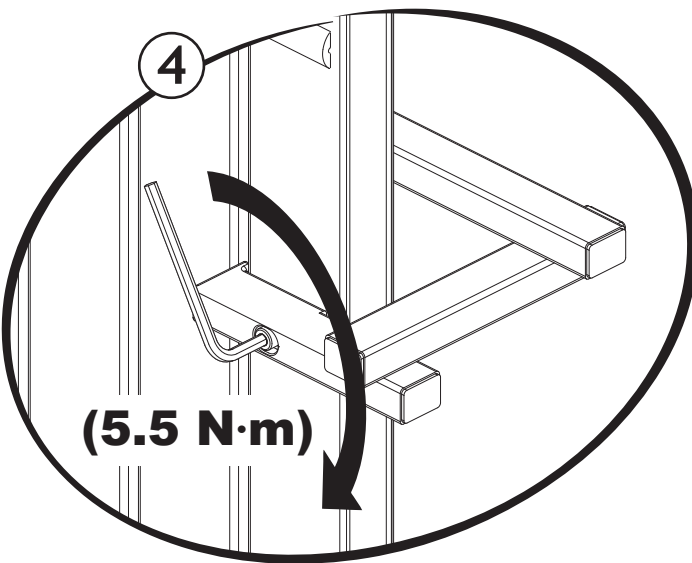
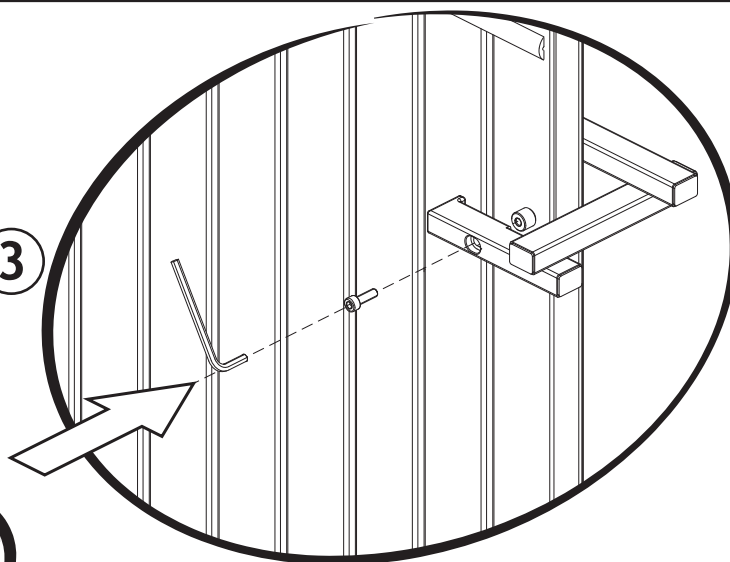


reddot award 2017  
winner





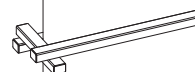
3



4

(5.5 N·m)

5



**CORDIVARI srl**

Zona Industriale Pagliare

64020 Morro D'Oro (TE) - ITALY

C.F. Part. IVA e Reg. Impr. TE n. 00735570673

Cap. Soc. Euro 4.000.000,00 i.v.

Tel: +39 085 80.40.1

Fax: +39 085 80.41.418

[www.cordivari.com](http://www.cordivari.com)

[www.cordivaridesign.com](http://www.cordivaridesign.com)

