



ROADS® STF

design **Mariano Moroni**

PATENTED



5 YEARS WARRANTY

MATERIAL:

Aluminium heating elements 100x30 mm.

FIXING KIT:

Brackets, airvent, hexagonal tool, plugs and screws suitable for use on compact or hollow brick, installation notice.

PACKAGING:

The radiator is protected by a film in polyethylene and with a carton box. Use and maintenance notice included.

PAINTING PROCESS:

Painted with ecological epoxy. (Certificate DIN 55900-1,-2). Thermal outputs certified in accredited laboratories in compliance with European norm EN442.

COLORS:

Radiators and accessories: standard white R01 color. For other colors see color chart.

PRODUCT CERTIFICATES



P. max: 6 bar

T. max: 110° C

Available for central heating systems

Connections: n° 2 x G 1/2" - n° 1 x G 1/2"

HOW TO ORDER THE ROADS® STF

ARTICLE CODE STRUCTURE

Radiator model	Radiator dimensions and profile	Profile-cover W: MATCHING in color C: Chrome	Article code of the connection	Article code of the color/finish Different color from standard (R01 - R02) surcharge +30%	Constant value
AAAA	BBBB	Z	DDD	EEE	B

Example

Radiator model Example: Roads Stf radiator 5 Elements	Radiator dimensions Example: 540 mm	Profile-cover Example: matching in color profile-cover	Article code of the connection Example: connection V11	Article code of the finish Example: White color R01	Constant value
RS05	0540	W	V11	R01	B

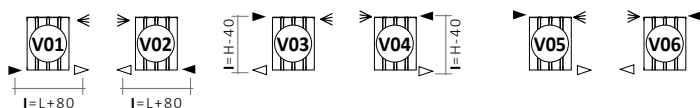
EXAMPLE OF ARTICLE CODE CREATION

In case of a ROADS STF, 5 Elements, H 540 mm, with V11 connection, profile cover in matching color, white R01 color.

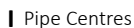
The article code will be:

RS05 0540 W V11 R01 B

Standard connections

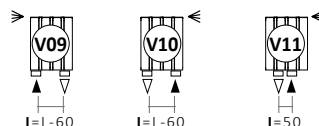


Legend =



Always specify the kind of connection needed when ordering.

Special connections



ACCESSORIES



Elegant square manual valve kit painted pure white R01

Copper connection Ø 12/14/15
Art. Nr. 5991990310553

Multilayer connection Ø 16 x2
Art. Nr. 5991990310552



Elegant square pipe centres 50 mm valve kit painted pure white R01 with thermostatic head - right

Copper connection Ø 12/14/15
Art. Nr. 5991990310543

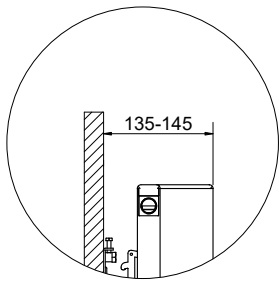
Multilayer connection Ø 16 x2
Art. Nr. 5991990310542



Tinta valve pipe centres 50 mm with thermostatic head - right - with pipe covering kit - pure white R01

Copper connection Ø 12/14/15
Art. Nr. 5991990311243

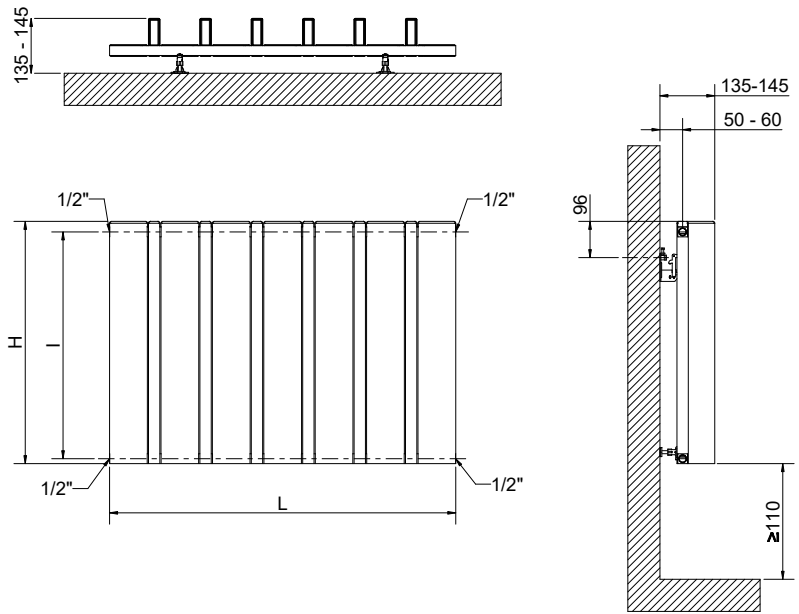
Multilayer connection Ø 16 x2
Art. Nr. 5991990311242



MATCHING IN COLOR
PROFILE COVER (W).



PROFILE COVER IN
CHROME FINISHING (C).



ROADS® STF

DDD: replace with the type of connection.

Z: replace with type profile cover (W matching in color - C chrome).

Art. Nr.	Height	Width	Pipe Centres	Elements	Dry Weight	Surface	Water Content	Thermal output Watt		Exponent n
								$\Delta t = 50^{\circ}\text{C}$	$\Delta t = 30^{\circ}\text{C}$	
	H [mm]	L [mm]	I [mm]		[Kg]	[m ²]	[lt]			
RS05 0540 Z DDD R01 B	540	372	500	5	4,2	1,4	0,7	328	178	1,1956
RS07 0540 Z DDD R01 B		508		7	5,9	1,9	1	459	249	1,1956
RS09 0540 Z DDD R01 B		644		9	7,6	2,5	1,2	590	320	1,1956
RS11 0540 Z DDD R01 B		780		11	9,2	3,0	1,5	721	391	1,1956
RS13 0540 Z DDD R01 B		916		13	10,9	3,6	1,8	852	463	1,1956
RS15 0540 Z DDD R01 B		1052		15	12,6	4,0	2	983	534	1,1956
RS17 0540 Z DDD R01 B		1188		17	14,3	4,6	2,3	1114	605	1,1956
RS19 0540 Z DDD R01 B		1324		19	15,9	5,2	2,6	1245	676	1,1956
RS21 0540 Z DDD R01 B		1460		21	17,6	5,7	2,8	1376	747	1,1956
RS05 0640 Z DDD R01 B		640		372	600	5	4,9	1,6	0,8	386
RS07 0640 Z DDD R01 B	508		7	6,8		2,3	1,1	540	296	1,1748
RS09 0640 Z DDD R01 B	644		9	8,7		2,9	1,4	694	381	1,1748
RS11 0640 Z DDD R01 B	780		11	10,7		3,6	1,7	848	465	1,1748
RS13 0640 Z DDD R01 B	916		13	12,6		4,3	2	1002	550	1,1748
RS15 0640 Z DDD R01 B	1052		15	14,5		4,8	2,3	1157	635	1,1748
RS17 0640 Z DDD R01 B	1188		17	16,4		5,6	2,6	1311	719	1,1748
RS19 0640 Z DDD R01 B	1324		19	18,4		6,2	2,9	1465	804	1,1748
RS21 0640 Z DDD R01 B	1460		21	20,3		6,9	3,2	1619	898	1,1539
RS05 0740 Z DDD R01 B	740		372	700		5	5,5	1,9	0,9	443
RS07 0740 Z DDD R01 B		508	7		7,7	2,7	1,2	620	344	1,1539
RS09 0740 Z DDD R01 B		644	9		9,9	3,4	1,5	797	442	1,1539
RS11 0740 Z DDD R01 B		780	11		12,1	4,2	1,9	975	541	1,1539
RS13 0740 Z DDD R01 B		916	13		14,2	5,0	2,2	1152	639	1,1539
RS15 0740 Z DDD R01 B		1052	15		16,4	5,6	2,6	1329	737	1,1539
RS17 0740 Z DDD R01 B		1188	17		18,6	6,5	2,9	1506	835	1,1539
RS19 0740 Z DDD R01 B		1324	19		20,8	7,3	3,2	1683	933	1,1539
RS21 0740 Z DDD R01 B		1460	21		23	8,0	3,6	1861	1032	1,1539
RS05 0840 Z DDD R01 B		840	372		800	5	6,2	2,2	1	501
RS07 0840 Z DDD R01 B	508		7	8,6		3,1	1,3	701	393	1,1330
RS09 0840 Z DDD R01 B	644		9	11		3,9	1,7	901	505	1,1330
RS11 0840 Z DDD R01 B	780		11	13,5		4,8	2,1	1101	617	1,1330
RS13 0840 Z DDD R01 B	916		13	15,9		5,7	2,4	1301	729	1,1330
RS15 0840 Z DDD R01 B	1052		15	18,3		6,4	2,8	1502	842	1,1330
RS17 0840 Z DDD R01 B	1188		17	20,8		7,4	3,2	1702	954	1,1330
RS19 0840 Z DDD R01 B	1324		19	23,2		8,3	3,6	1902	1066	1,1330
RS21 0840 Z DDD R01 B	1460		21	25,6		9,2	3,9	2102	1178	1,1330

Art. Nr. referred to WHITE R01 color version with profile cover in the same color of the radiator (W) or with chrome profile cover (C).

For output at different Δt than 50°C , please refer to the following formula = desired output = output at $\Delta t 50^{\circ}\text{C}$ x (desired $\Delta t/50$)ⁿ