



RIO®

SATIN STAINLESS STEEL

design **Paola Pinnavaia**



10 YEARS WARRANTY

MATERIAL:

Horizontal collectors in satin stainless steel with \varnothing of 38 mm.
Vertical heating elements in satin stainless steel with \varnothing of 25 mm.

FIXING KIT:

Brackets, airvent, hexagonal tool, plugs and screws suitable for use on compact or hollow brick, installation notice.
The fixing kit is compliant with VDI 6036 norm, class 4.

PACKAGING:

The radiator is protected by a film in polyethylene and with a carton box. Use and maintenance notice included.

FEATURES:

It is totally made in stainless steel with an unalterable finishing guaranteed during the years.
Thermal outputs certified in accredited laboratories in compliance with European norm EN442.

PRODUCT CERTIFICATES



P. max: 8 bar

T. max: 110° C

Available for central heating systems

Connections: n° 2 x G 1/2" - n° 1 G 1/8"

AWARD

D COME DESIGN

ACCESSORIES



Elegant corner dx with thermostatic head satin valve kit

Copper connection \varnothing 12/14/15
Art. Nr. 5991990320204

Multilayer connection \varnothing 16 x2
Art. Nr. 5991990320202



Elegant manual reverse satin valve

Copper connection \varnothing 12/14/15
Art. Nr. 5991990320207

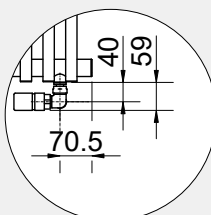
Multilayer connection \varnothing 16 x2
Art. Nr. 5991990320206



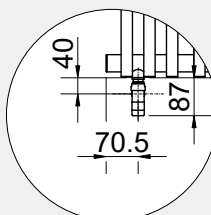
Elegant manual square satin valve

Copper connection \varnothing 12/14/15
Art. Nr. 5991990320209

Multilayer connection \varnothing 16 x2
Art. Nr. 5991990320208



Measures for valves type Cordivari Elegant Corner with thermostatic head

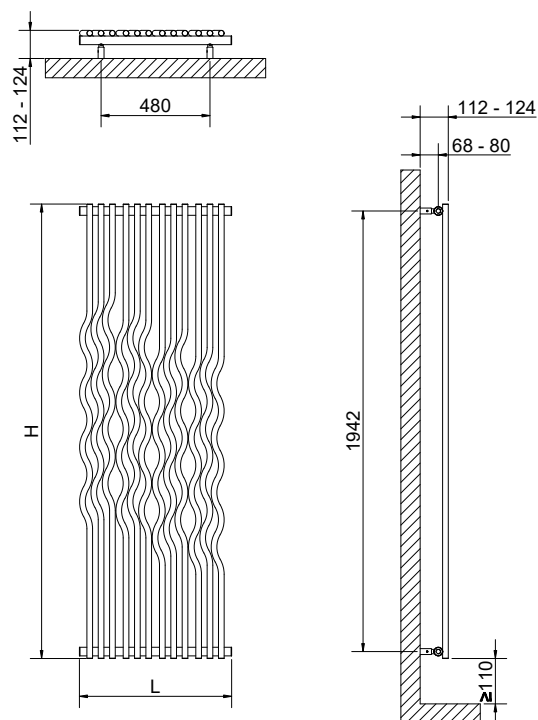
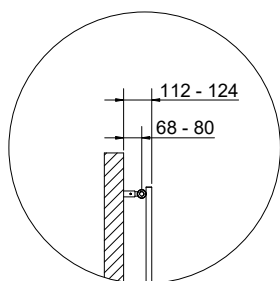


Measures for Elegant reverse manual valve

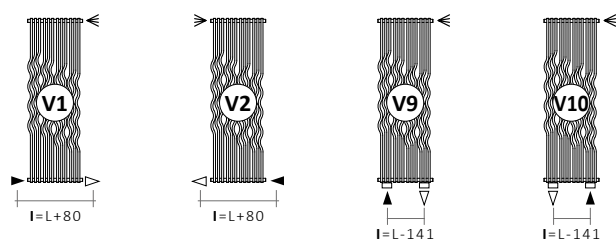


Pipe covering kit for satin valves

Art. Nr. 5103000000045



Standard connections



Always specify the kind of connection needed when ordering (V1- V2 and V9- V10).

Legend = In Out Airvent **H** Height **I** Pipe Centres **L** Width Connection

RIO® SATIN STAINLESS STEEL

Art. Nr.	Variant	Height		Pipe Centres	Dry Weight	Surface	Water Content	Thermal output Watt		Exponent n
		H [mm]	L [mm]					$\Delta t = 50^{\circ}\text{C}$	$\Delta t = 30^{\circ}\text{C}$	
3620750130001	V1	2000	671	751	26	2,38	16,6	863	456	1,2476
3620750000007	V2	2000	671	751	26	2,38	16,6	863	456	1,2476
3620750000003	V9	2000	671	530	26	2,38	16,6	863	456	1,2476
3620750000002	V10	2000	671	530	26	2,38	16,6	863	456	1,2476

Pipe Centres refers to the radiator valves Elegant Cordivari.

For output at different Δt than 50°C , please refer to the following formula = desired output = output at $\Delta t 50^{\circ}\text{C}$ x (desired $\Delta t/50$)ⁿ



RIO®

POLISHED STAINLESS STEEL

design **Paola Pinnavaia**



10 YEARS WARRANTY

MATERIAL:

Horizontal collectors in polished stainless steel with \varnothing of 38 mm.
Vertical heating elements in polished stainless steel with \varnothing of 25 mm.

FIXING KIT:

Brackets, airvent, hexagonal tool, plugs and screws suitable for use on compact or hollow brick, installation notice.
The fixing kit is compliant with VDI 6036 norm, class 4.

PACKAGING:

The radiator is protected by a film in polyethylene and with a carton box. Use and maintenance notice included.

FEATURES:

It is totally made in stainless steel with an unalterable finishing guaranteed during the years.
Thermal outputs certified in accredited laboratories in compliance with European norm EN442.

PRODUCT CERTIFICATES



P. max: 8 bar

T. max: 110° C

Available for central heating systems

Connections: n° 4 x G 1/2"

AWARD

D COME DESIGN

ACCESSORIES



Elegant corner dx with thermostatic head polished valve kit

Copper connection \varnothing 12/14/15
Art. Nr. 5991990301079

Multilayer connection \varnothing 16 x2
Art. Nr. 5991990301077



Elegant reverse manual polished valve kit

Copper connection \varnothing 12/14/15
Art. Nr. 5991990301082

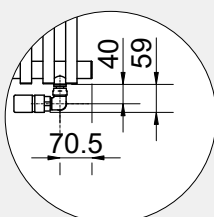
Multilayer connection \varnothing 16 x2
Art. Nr. 5991990301081



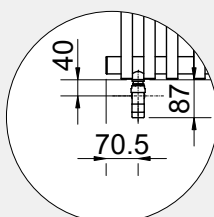
Elegant square polished manual valve kit

Copper connection \varnothing 12/14/15
Art. Nr. 5991990301084

Multilayer connection \varnothing 16 x2
Art. Nr. 5991990301083



Measures for valves type Cordivari Elegant Corner with thermostatic head

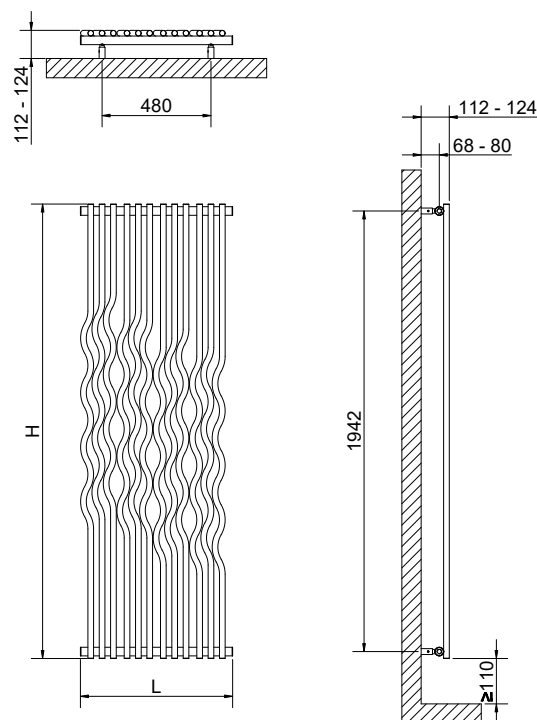
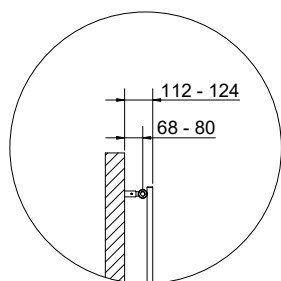


Measures for Elegant reverse manual valve

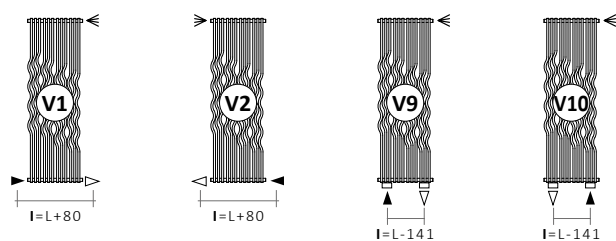


Pipe covering kit for polished valves

Art. Nr. 5103000000044



Standard connections



Always specify the kind of connection needed when ordering (V1- V2 and V9- V10).

Legend = ► In ◄ Out ≪ Airvent **H** Height **I** Pipe Centres **L** Width □ Connection

RIO® POLISHED STAINLESS STEEL

Art. Nr.	Variant	Height		Pipe Centres	Dry Weight	Surface	Water Content	Thermal output Watt		Exponent n
		H [mm]	L [mm]					$\Delta t = 50^{\circ}\text{C}$	$\Delta t = 30^{\circ}\text{C}$	
3620750400001	V1	2000	671	751	26	2,38	16,6	807	424	1,2581
3620750000001	V2	2000	671	751	26	2,38	16,6	807	424	1,2581
3620750000004	V9	2000	671	530	26	2,38	16,6	807	424	1,2581
3620750000005	V10	2000	671	530	26	2,38	16,6	807	424	1,2581

Pipe Centres refers to the radiator valves Elegant Cordivari.

For output at different Δt than 50°C , please refer to the following formula = desired output = output at $\Delta t 50^{\circ}\text{C}$ x (desired $\Delta t/50$)ⁿ