



RETRO



EUROPEAN WARRANTY

MATERIAL:

Brass elements

FIXING KIT:

Fixing brackets already integrated on towel rail with plugs and screws included, airvent included, installation instructions.

PACKAGING:

The towel rail is protected by a recyclable film in polyethylene and with a box in recyclable carton.

Use and maintenance notice included.

FINISH:

Chrome, Antique bronze, Antique gold.

PRODUCT CERTIFICATES



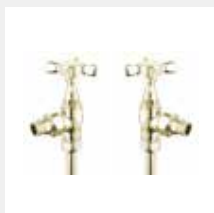
P. max: 5 bar

T. max: 110° C

Available for central heating systems

Connections: n° 2 x G 1/2" - airvent integrated on towel rail

ACCESSORIES



**Square manual valve kit
Antique Gold**

Copper connection Ø
12/14/15/16
Art. Nr. 5991990311132

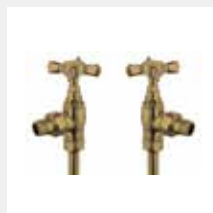
Multilayer connection Ø 16 x2
Art. Nr. 5991990311133



**Square manual valve kit
Chrome**

Copper connection Ø
12/14/15/16
Art. Nr. 5991990311134

Multilayer connection Ø 16 x2
Art. Nr. 5991990311135

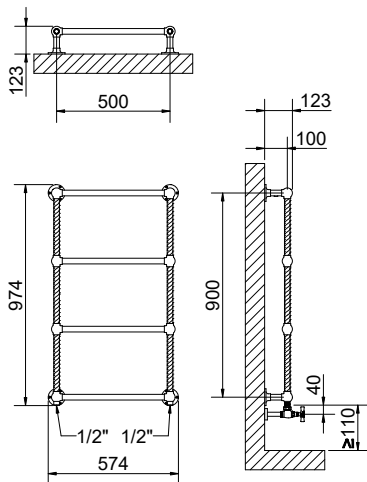


**Square manual valve kit
Antique Bronze**

Copper connection Ø
12/14/15/16
Art. Nr. 5991990311130

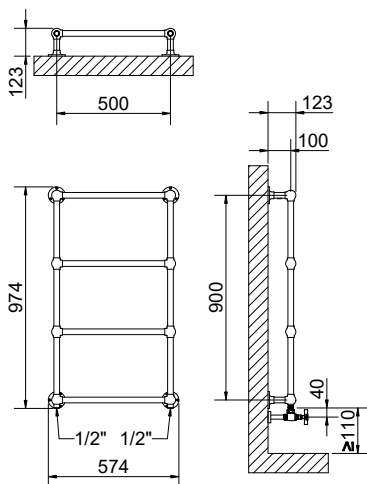
Multilayer connection Ø 16 x2
Art. Nr. 5991990311131

CHROME FINISH

**RETRÒ I**

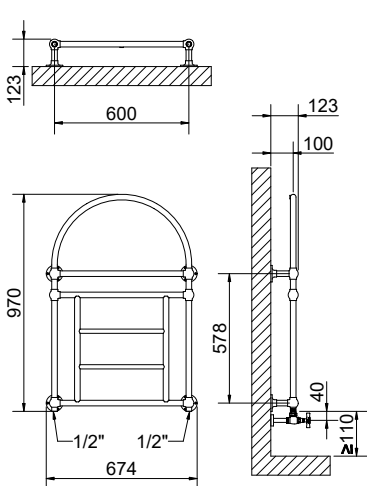
Art. Nr.	Height	Width	Pipe Centres	Finish	Thermal output Watt	
	H [mm]	L [mm]	I [mm]		$\Delta t = 50^{\circ}\text{C}$	$\Delta t = 30^{\circ}\text{C}$
3551330150001				ANTIQUE GOLD		
3551330150002	975	575	500	CHROME	178	85
3551330150003				ANTIQUE BRONZE		

ANTIQUE GOLD FINISH

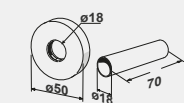
**RETRÒ II**

Art. Nr.	Height	Width	Pipe Centres	Finish	Thermal output Watt	
	H [mm]	L [mm]	I [mm]		$\Delta t = 50^{\circ}\text{C}$	$\Delta t = 30^{\circ}\text{C}$
3551330150011				ANTIQUE GOLD		
3551330150012	975	575	500	CHROME	178	85
3551330150013				ANTIQUE BRONZE		

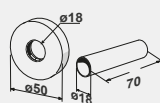
CHROME FINISH

**RETRÒ III**

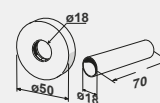
Art. Nr.	Height	Width	Pipe Centres	Finish	Thermal output Watt	
	H [mm]	L [mm]	I [mm]		$\Delta t = 50^{\circ}\text{C}$	$\Delta t = 30^{\circ}\text{C}$
3551330150021				ANTIQUE GOLD		
3551330150022	970	675	600	CHROME	242	116
3551330150023				ANTIQUE BRONZE		

ACCESSORIES**PIPE COVERING KIT
ANTIQUE GOLD**

Art. Nr. 510300000108

**PIPE COVERING KIT
CHROME**

Art. Nr. 510300000044

**PIPE COVERING KIT
ANTIQUE BRONZE**

Art. Nr. 510300000109