



RETRO ELECTRIC

**EUROPEAN
WARRANTY**

MATERIAL:

Brass elements

FIXING KIT:

Fixing brackets already integrated on towel rail with plugs and screws included, installation instructions.

PACKAGING:

The towel rail is protected by a recyclable film in polyethylene and with a box in recyclable carton.

Use and maintenance notice included.

FINISH:

Chrome, Antique bronze, Antique gold.

PRODUCT CERTIFICATES



Electrical resistors: CLASS 1

Minimum class protection: IP 55

Wire Length: 1500 mm

Electrical only: Cable without electrical plug, to be connected to the power supply with a switch (not included), and protection device (not included).

Refer to the local regulations for electrical networks. Cable without plug to be connected on a ON-OFF switcher- not included

ACCESSORIES



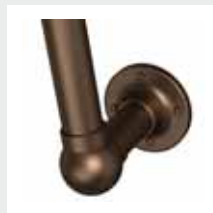
Pipe covering kit
ANTIQUÉ GOLD

Art. Nr. 5103000000077



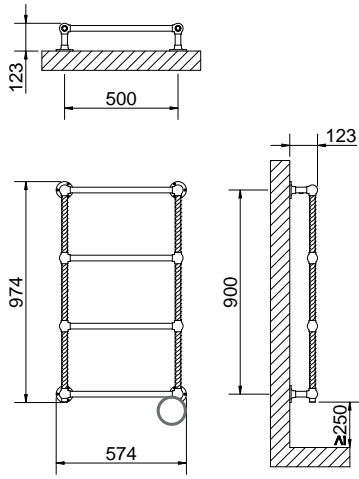
Pipe covering kit
CHROME

Art. Nr. 5103000000080



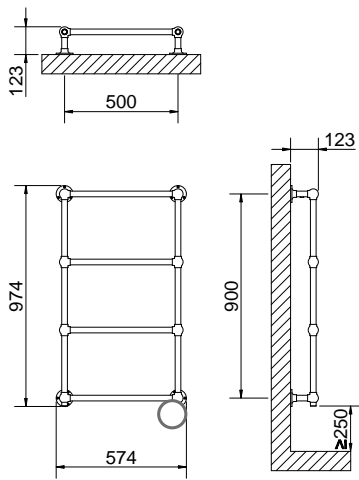
Pipe covering kit
ANTIQUÉ BRONZE

Art. Nr. 5103000000078



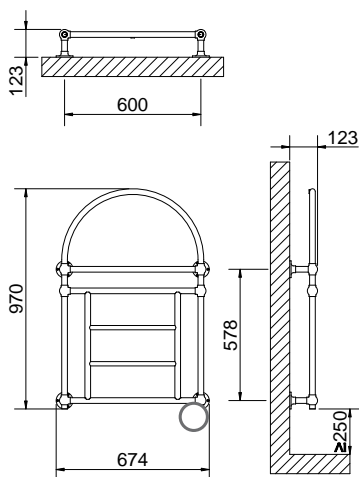
RETRÒ I ELECTRIC

Art. Nr.	Height	Width	Finish	Watt
	H [mm]	L [mm]		
3581330000001			ANTIQUE GOLD	
3581330000002	975	575	CHROME	100
3581330000003			ANTIQUE BRONZE	



RETRÒ II ELECTRIC

Art. Nr.	Height	Width	Finish	Watt
	H [mm]	L [mm]		
3581330000011			ANTIQUE GOLD	
3581330000012	975	575	CHROME	100
3581330000013			ANTIQUE BRONZE	



RETRÒ III ELECTRIC

Art. Nr.	Height	Width	Finish	Watt
	H [mm]	L [mm]		
3581330000021			ANTIQUE GOLD	
3581330000022	970	675	CHROME	150
3581330000023			ANTIQUE BRONZE	

INOX STYLE

EXTRASLIM®

NEO DESIGN

CLASSIC LINE

GRAPHIC PICTURE

ACCESSORIES
TECHNICAL SUPPORT