



RETRÒ

**EUROPEAN
WARRANTY**

MATERIAL:

Brass elements

FIXING KIT:

Fixing brackets already integrated on towel rail with plugs and screws included, airvent included, installation instructions.

PACKAGING:

The towel rail is protected by a recyclable film in polyethylene and with a box in recyclable carton.

Use and maintenance notice included.

FINISH:

Chrome, Antique bronze, Antique gold.

PRODUCT CERTIFICATES



P. max: 5 bar

T. max: 110° C

Available for central heating systems

Connections: n° 2 x G 1/2" - airvent integrated on towel rail

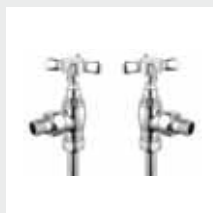
ACCESSORIES



**Square manual valve kit
Antique Gold**

Copper connection Ø
12/14/15/16
Art. Nr. 5991990311132

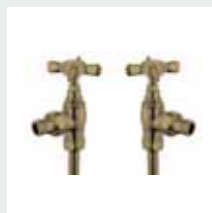
Multilayer connection Ø 16 x2
Art. Nr. 5991990311133



**Square manual valve kit
Chrome**

Copper connection Ø
12/14/15/16
Art. Nr. 5991990311134

Multilayer connection Ø 16 x2
Art. Nr. 5991990311135

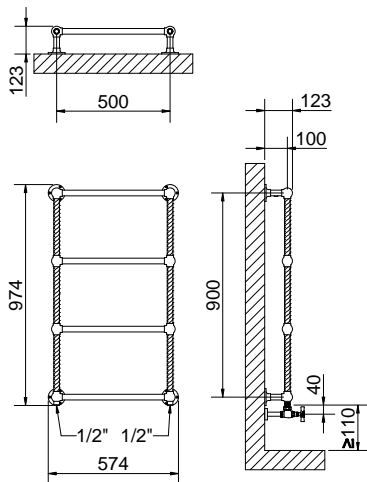


**Square manual valve kit
Antique Bronze**

Copper connection Ø
12/14/15/16
Art. Nr. 5991990311130

Multilayer connection Ø 16 x2
Art. Nr. 5991990311131

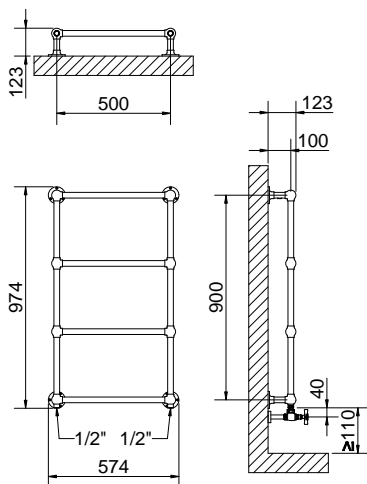
CHROME FINISH



RETRO I

Art. Nr.	Height	Width	Pipe Centres	Finish	Thermal output Watt	
	H [mm]	L [mm]	I [mm]		$\Delta t = 50^{\circ}\text{C}$	$\Delta t = 30^{\circ}\text{C}$
3551330150001				ANTIQUE GOLD		
3551330150002	975	575	500	CHROME	178	85
3551330150003				ANTIQUE BRONZE		

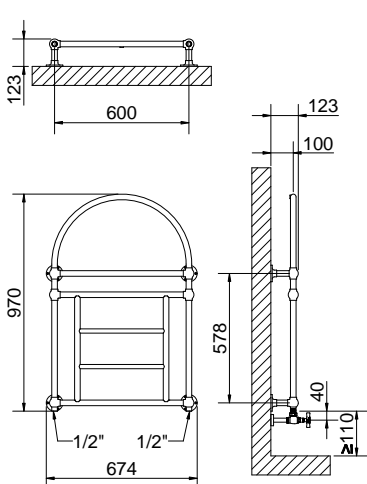
ANTIQUE GOLD FINISH



RETRO II

Art. Nr.	Height	Width	Pipe Centres	Finish	Thermal output Watt	
	H [mm]	L [mm]	I [mm]		$\Delta t = 50^{\circ}\text{C}$	$\Delta t = 30^{\circ}\text{C}$
3551330150011				ANTIQUE GOLD		
3551330150012	975	575	500	CHROME	178	85
3551330150013				ANTIQUE BRONZE		

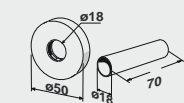
CHROME FINISH



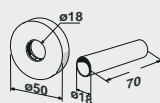
RETRO III

Art. Nr.	Height	Width	Pipe Centres	Finish	Thermal output Watt	
	H [mm]	L [mm]	I [mm]		$\Delta t = 50^{\circ}\text{C}$	$\Delta t = 30^{\circ}\text{C}$
3551330150021				ANTIQUE GOLD		
3551330150022	970	675	600	CHROME	242	116
3551330150023				ANTIQUE BRONZE		

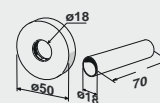
ACCESSORIES

PIPE COVERING KIT
ANTIQUE GOLD

Art. Nr. 5103000000108

PIPE COVERING KIT
CHROME

Art. Nr. 5103000000044

PIPE COVERING KIT
ANTIQUE BRONZE

Art. Nr. 5103000000109