



LOLA[®] VERTICAL

SATIN STAINLESS STEEL

3D
TRADEMARK

10 YEARS
WARRANTY

MATERIAL:

Horizontal collectors in satin stainless steel with \varnothing of 38 mm.
Curved heating elements in satin stainless steel 30x10 mm.

FIXING KIT:

Brackets, airvent, hexagonal tool, plugs and screws for mounting suitable for use on compact or hollow brick, installation notice.
The kit is certified from TÜV in compliance with VDI 6036-class 4.

PACKAGING:

The radiator is protected by a recyclable film in polyethylene and with a carton box. Use and maintenance notice included.

FEATURES:

It is totally made in stainless steel with an unalterable finishing guaranteed during the years.
Thermal outputs certified in accredited laboratories in compliance with European norm EN442.

PRODUCT CERTIFICATES



P. max: 8 bar

T. max: 110° C

Available for central heating systems

Connections: n° 2 x G 1/2" - n° 1 G 1/8"

AWARD

GOLD VILLA
AWARD

ACCESSORIES



Elegant manual square satin valve

Copper connection \varnothing 12/14/15
Art. Nr. 5991990320209

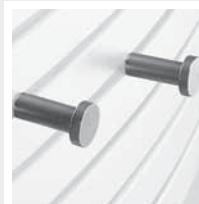
Multilayer connection \varnothing 16 x2
Art. Nr. 5991990320208



Elegant square satin valve kit pipe centres 50 mm with thermostatic head - right

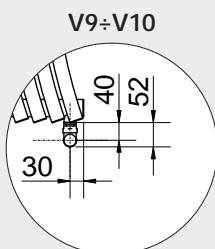
Copper connection \varnothing 12/14/15
Art. Nr. 5991990320201

Multilayer connection \varnothing 16 x2
Art. Nr. 5991990320200

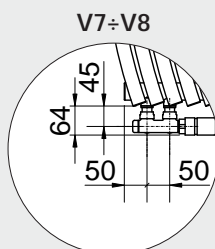


Kit 2 hooks satin stainless steel

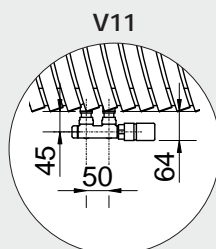
Art. Nr. 5991990010224



Measures for Elegant square manual valve

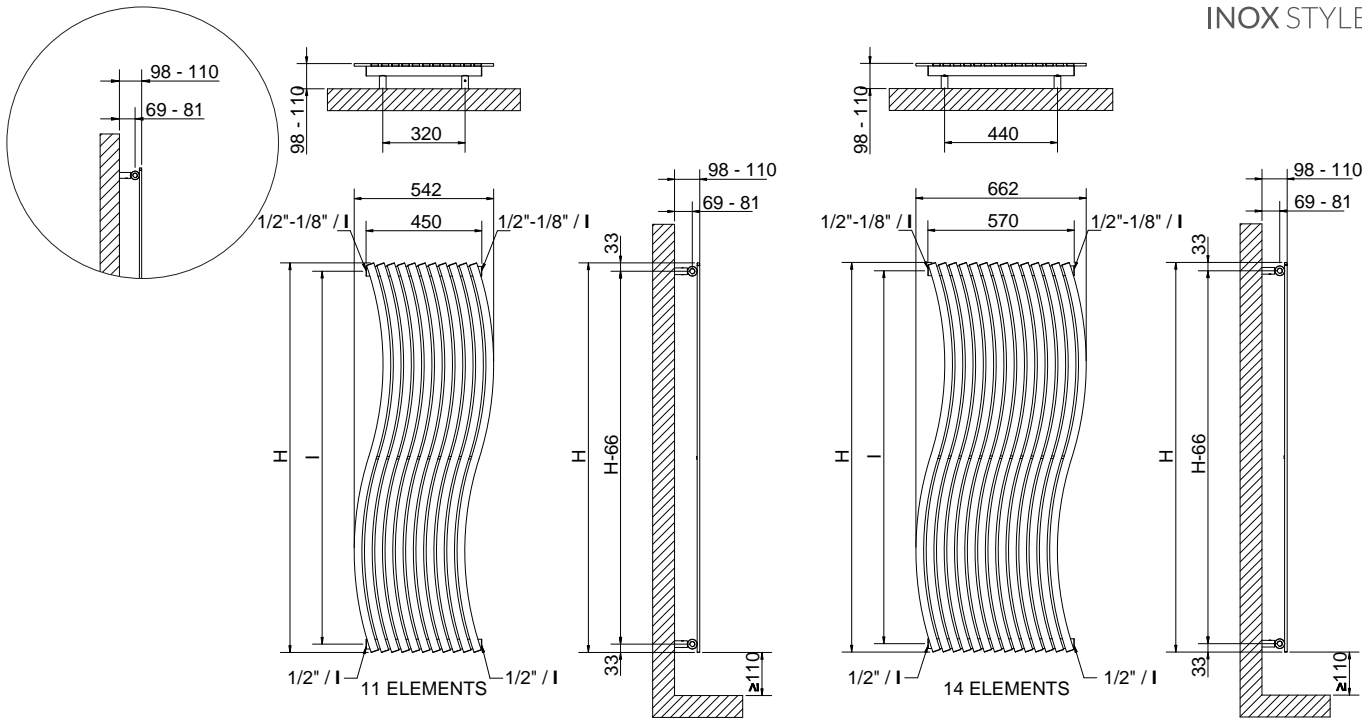


Measures for valves type Cordivari Elegant Square with thermostatic head and pipe centres 50 mm

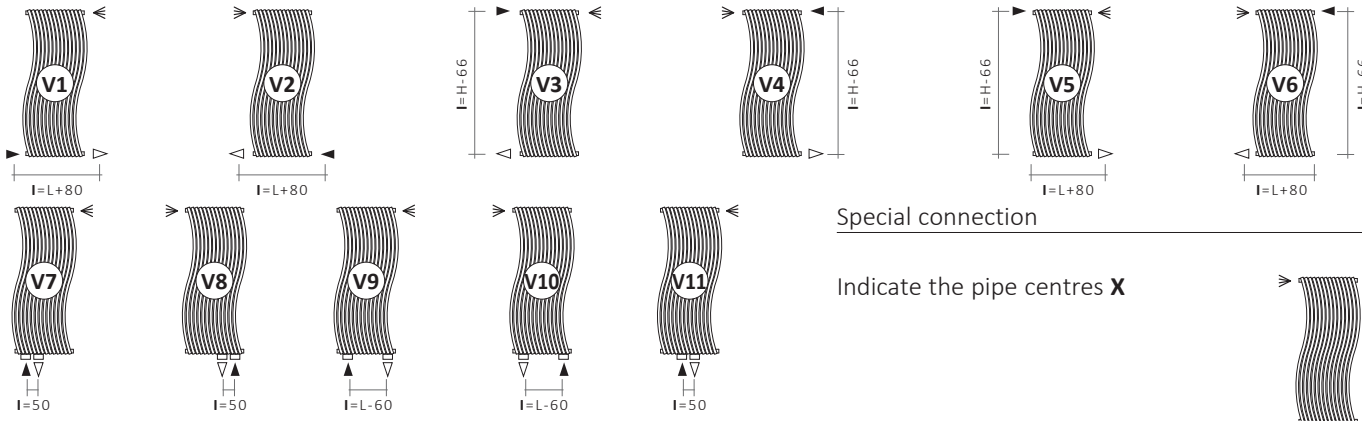


Pipe covering kit for satin valves

Art. Nr. 5103000000045



Standard connections



Special connection

Indicate the pipe centres X



Always specify the kind of connection needed when ordering (from V1 to V11).

Legend = \blacktriangleright In \blacktriangleleft Out \triangleleft Airvent **H** Height **I** Pipe Centres **L** Width \square Connection

LOLA® VERTICAL - SATIN STAINLESS STEEL

Art. Nr.	Variant	Height	Width	Pipe Centres	Dry Weight	Surface	Water Content	Thermal output Watt		Exponent n
		H [mm]	L [mm]	I [mm]				$\Delta t = 50^{\circ}\text{C}$	$\Delta t = 30^{\circ}\text{C}$	
3551740130001	V1	1516	450	530	15,5	1,45	4,1	557	289	1,2811
3551740130002			570	650	19,0	1,84	5,1	708	365	1,2959
3551740000016	V2	1516	450	530	15,5	1,45	4,1	557	289	1,2811
3551740000062			570	650	19,0	1,84	5,1	708	365	1,2959
3551740000069	V3	1516	450	1450	15,5	1,45	4,1	557	289	1,2811
3551740000047			570	1450	19,0	1,84	5,1	708	365	1,2959
3551740000019	V4	1516	450	1450	15,5	1,45	4,1	557	289	1,2811
3551740000023			570	1450	19,0	1,84	5,1	708	365	1,2959
3551740000077	V5	1516	450	-	15,5	1,45	4,1	557	289	1,2811
3551740000103			570	-	19,0	1,84	5,1	708	365	1,2959
3551740000104	V6	1516	450	-	15,5	1,45	4,1	557	289	1,2811
3551740000105			570	-	19,0	1,84	5,1	708	365	1,2959
3551740000054	V7	1516	450	50	15,5	1,45	4,1	557	289	1,2811
3551740000030			570	50	19,0	1,84	5,1	708	365	1,2959
3551740000039	V8	1516	450	50	15,5	1,45	4,1	557	289	1,2811
3551740000011			570	50	19,0	1,84	5,1	708	365	1,2959
3551740000040	V9	1516	450	390	15,5	1,45	4,1	557	289	1,2811
3551740000012			570	510	19,0	1,84	5,1	708	365	1,2959
3551740000037	V10	1516	450	390	15,5	1,45	4,1	557	289	1,2811
3551740000022			570	510	19,0	1,84	5,1	708	365	1,2959
3551740000008	V11	1516	450	50	15,5	1,45	4,1	557	289	1,2811
3551740000038			570	50	19,0	1,84	5,1	708	365	1,2959

For output at different Δt than 50°C , please refer to the following formula = desired output = output at $\Delta t 50^{\circ}\text{C}$ x (desired $\Delta t/50$)ⁿ



LOLA[®] VERTICAL

POLISHED STAINLESS STEEL

3D
TRADEMARK

**10 YEARS
WARRANTY**

MATERIAL:

Horizontal collectors in polished stainless steel with \varnothing of 38 mm.
Curved heating elements in polished stainless steel 30x10 mm.

FIXING KIT:

Brackets, airvent, hexagonal tool, plugs and screws for mounting suitable for use on compact or hollow brick, installation notice.
The kit is certified from TÜV in compliance with VDI 6036-class 4.

PACKAGING:

The radiator is protected by a recyclable film in polyethylene and with a carton box. Use and maintenance notice included.

FEATURES:

It is totally made in stainless steel with an unalterable finishing guaranteed during the years.
Thermal outputs certified in accredited laboratories in compliance with European norm EN442.

PRODUCT CERTIFICATES



P. max: 8 bar

T. max: 110° C

Available for central heating systems

Connections: n° 2 x G 1/2" - n° 1 G 1/8"

AWARD

GOLD VILLA
AWARD

ACCESSORIES



Elegant square manual polished valve kit

Copper connection \varnothing 12/14/15
Art. Nr. 5991990301084

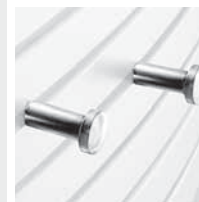
Multilayer connection \varnothing 16 x2
Art. Nr. 5991990301083



Elegant square polished valve kit pipe centres 50 mm with thermostatic head - right

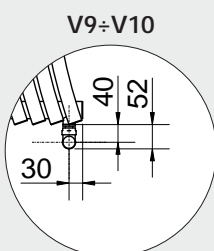
Copper connection \varnothing 12/14/15
Art. Nr. 5991990301076

Multilayer connection \varnothing 16 x2
Art. Nr. 5991990301075



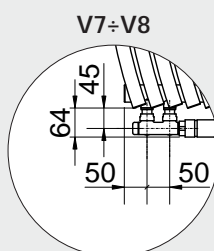
Kit 2 hooks polished stainless steel

Art. Nr. 5991990010223



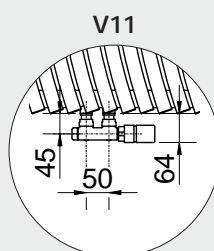
V9÷V10

Measures for Elegant square manual valve



V7÷V8

Measures for valves type Cordivari Elegant Square with thermostatic head and pipe centres 50 mm

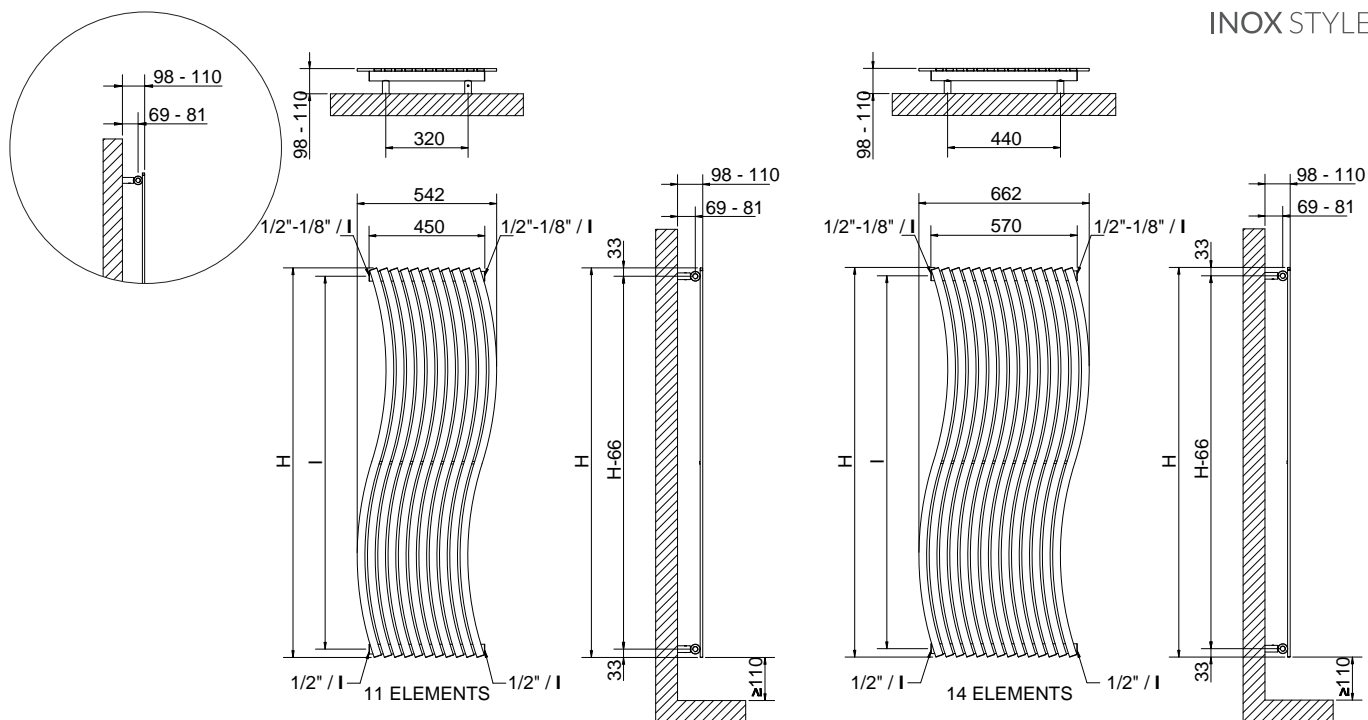


V11

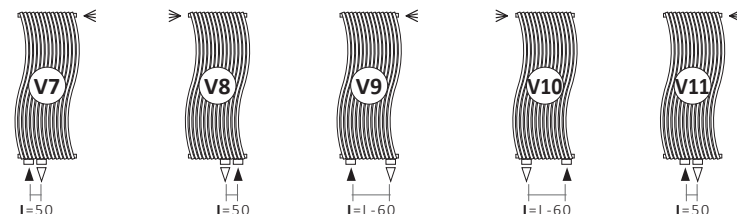
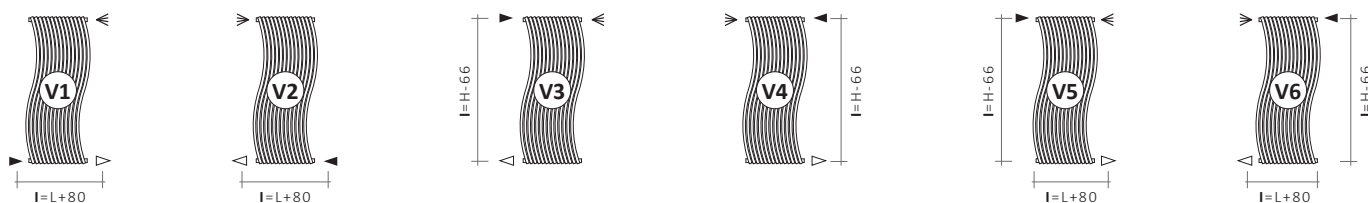


Pipe covering kit for polished valves

Art. Nr. 5103000000044



Standard connections



Special connection

Indicate the pipe centres X



Always specify the kind of connection needed when ordering (from V1 to V11).

Legend = ► In ◄ Out ◀ Airvent H Height I Pipe Centres L Width □ Connection

LOLA® VERTICAL

Art. Nr.	Variant	Height	Width	Pipe Centres	Dry Weight	Surface	Water Content	Thermal output Watt		Exponent n
		H [mm]	L [mm]	I [mm]	[Kg]	[m ²]	[lt]	Δt = 50°C	Δt = 30°C	
3551740130011	V1	1516	450	530	15,5	1,45	4,1	507	264	1,2746
3551740130012			570	650	19,0	1,84	5,1	645	334	1,2878
3551740000035	V2	1516	450	530	15,5	1,45	4,1	507	264	1,2746
3551740000009			570	650	19,0	1,84	5,1	645	334	1,2878
3551740000052	V3	1516	450	1450	15,5	1,45	4,1	507	264	1,2746
3551740000049			570	1450	19,0	1,84	5,1	645	334	1,2878
3551740000018	V4	1516	450	1450	15,5	1,45	4,1	507	264	1,2746
3551740000044			570	1450	19,0	1,84	5,1	645	334	1,2878
3551740000100	V5	1516	450	-	15,5	1,45	4,1	507	264	1,2746
3551740000056			570	-	19,0	1,84	5,1	645	334	1,2878
3551740000101	V6	1516	450	-	15,5	1,45	4,1	507	264	1,2746
3551740000109			570	-	19,0	1,84	5,1	645	334	1,2878
3551740000024	V7	1516	450	50	15,5	1,45	4,1	507	264	1,2746
3551740000097			570	50	19,0	1,84	5,1	645	334	1,2878
3551740000029	V8	1516	450	50	15,5	1,45	4,1	507	264	1,2746
3551740000021			570	50	19,0	1,84	5,1	645	334	1,2878
3551740000020	V9	1516	450	390	15,5	1,45	4,1	507	264	1,2746
3551740000033			570	510	19,0	1,84	5,1	645	334	1,2878
3551740000015	V10	1516	450	390	15,5	1,45	4,1	507	264	1,2746
3551740000010			570	510	19,0	1,84	5,1	645	334	1,2878
3551740000025	V11	1516	450	50	15,5	1,45	4,1	507	264	1,2746
3551740000041			570	50	19,0	1,84	5,1	645	334	1,2878

For output at different Δt than 50°C, please refer to the following formula = desired output = output at Δt 50°C x (desired Δt/50)ⁿ