



# JUNGLE® JUNGLE® CONTROL

design **Mariano Moroni**



**5 YEARS WARRANTY**

#### MATERIAL:

Super slim heating body in painted mild steel.

#### FIXING KIT:

Brackets, airvent, hexagonal tool, plugs and screws suitable for use on compact or hollow brick, installation notice.

The fixing kit is compliant with VDI 6036 norm, class 4.

#### VALVE KIT INCLUDES:

Valves (STANDARD VERSION)

Valves with thermostatic head (CONTROL VERSION)

Fittings for copper pipe (Ø 12/14/15)

Fittings for multilayer pipe (Ø 16 x2)

#### PACKAGING:

The radiator is protected by a film in polyethylene and with a carton box. Use and maintenance notice included.

#### PAINTING PROCESS:

Painted with ecological epoxy. (Certificate DIN 55900-1,-2).

Thermal outputs certified in accredited laboratories in compliance with European norm EN442.

#### COLORS:

Radiators and accessories: standard white R01 color.

For other colors see color chart.

## PRODUCT CERTIFICATES



P. max: 5 bar

T. max: 110° C

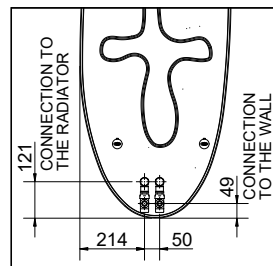
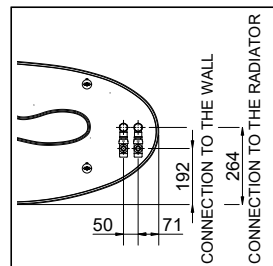
Available for central heating systems

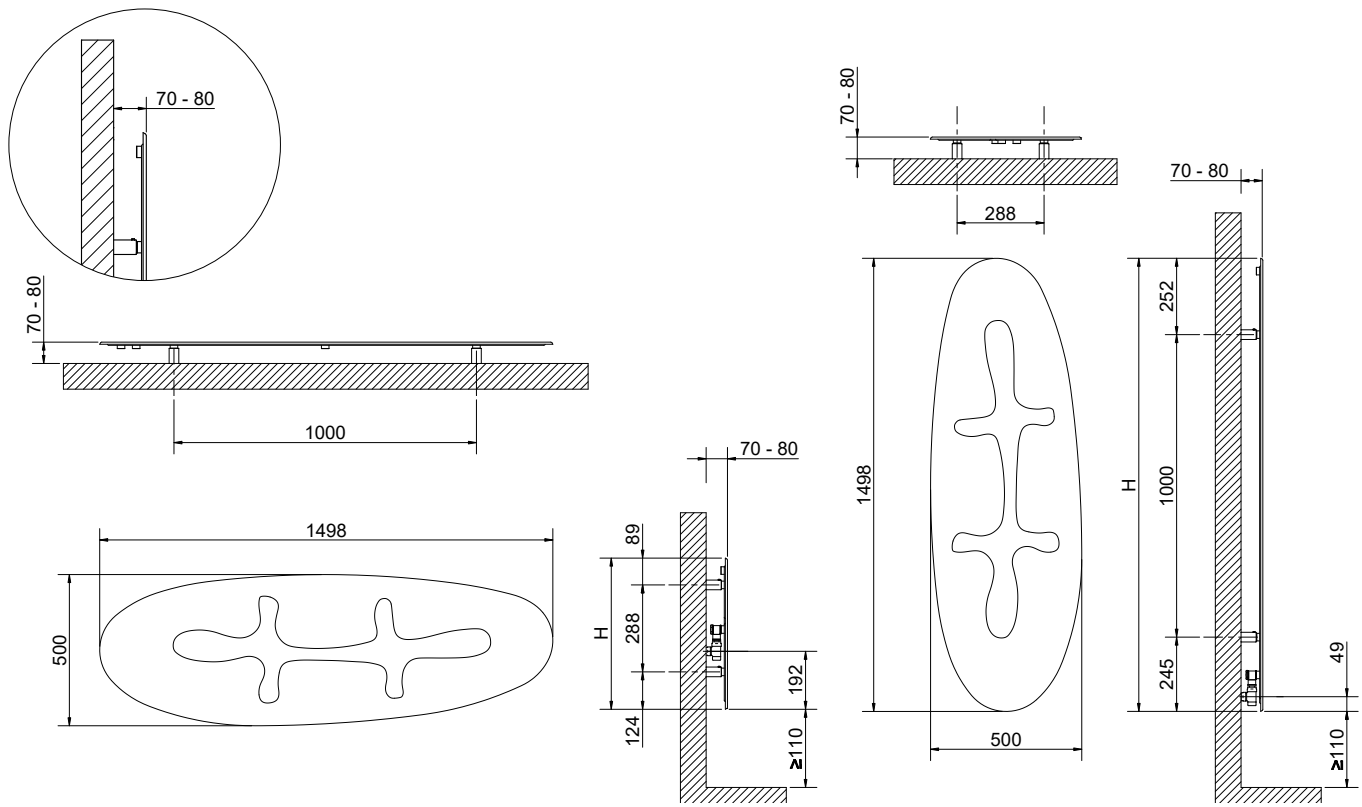
Connections: n° 2 x G 1/2" - n° 1 x G 1/2"



### STANDARD version

CONNECTION detail





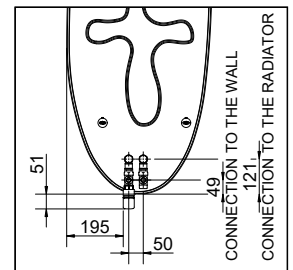
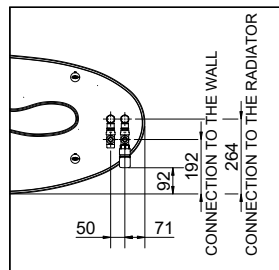
## JUNGLE®

Art. Nr.	Height	Width	Pipe Centres	Dry Weight	Surface	Water Content	Thermal output Watt		Exponent n
	H [mm]	L [mm]	I [mm]				$\Delta t = 50^{\circ}\text{C}$	$\Delta t = 30^{\circ}\text{C}$	
3540806100060	<b>1500</b>	500	50	19	0,92	1	557	296	1,2355
3540806100065	<b>500</b>	1500	50	19	0,92	1	573	310	1,2005

Art. Nr. are referred to WHITE R01 color version.

The Art. Nr. is inclusive of **VALVE AND HOLDER**.

## CONTROL version



## JUNGLE® CONTROL

Art. Nr.	Height	Width	Pipe Centres	Dry Weight	Surface	Water Content	Thermal output Watt		Exponent n
	H [mm]	L [mm]	I [mm]				$\Delta t = 50^{\circ}\text{C}$	$\Delta t = 30^{\circ}\text{C}$	
3540806100070	<b>1500</b>	500	50	19	0,92	1	557	296	1,2355
3540806100075	<b>500</b>	1500	50	19	0,92	1	573	310	1,2005

Art. Nr. are referred to WHITE R01 color version.

The Art. Nr. is inclusive of **VALVE, HOLDER AND THERMOSTATIC HEAD**, compliant with UNI EN215:2007 and DM 19/02/2017.

For output at different  $\Delta t$  than  $50^{\circ}\text{C}$ , please refer to the following formula = desired output = output at  $\Delta t 50^{\circ}\text{C}$  x (desired  $\Delta t/50$ )<sup>n</sup>