



FRAME PLUS VERTICAL

**EUROPEAN
WARRANTY**

MATERIAL:

Horizontal collector in painted carbon steel with \varnothing of 30 mm
Heating elements in painted carbon steel
Heating plate in painted carbon steel

FIXING KIT:

Brackets, airvent, hexagonal tool, plugs and screws for mounting suitable for use on compact or hollow brick, user notice.

PACKAGING:

The radiator is protected by a film in polyethylene and with a carton box.
User notice included.

PAINTING PROCESS:

Painted with ecological epoxy. (Certificate DIN 55900-1,-2).
Thermal outputs certified in accredited laboratories in compliance with European norm EN442.

COLOURS:

Radiator and accessories: standard white colour R01.

PRODUCT CERTIFICATES



Pression maximale de service: 5 bar

Température maximale de service: 110° C

Available for central heating systems

Connexions: n° 2 x 1/2" gaz - n° 1 x 1/8" gaz

HOW TO ORDER THE VERTICAL FRAME PLUS RADIATORS

ARTICLE CODE STRUCTURE

Radiator model	Radiator dimensions	Article code of the connection	Article code of the color / finish Different color from standard (R01 - R02) surcharge +30%	Constant value
AAAA	BBB CC	DDD	EEE	B

Example

Radiator model Example: Frame radiator Plus	Radiator dimensions Example: mm 464x1822	Article code of the connection Example: connection V09	Article code of the finish Example: White color R01	Constant value
FRPL	464 18	V09	R01	B

EXAMPLE OF ARTICLE CODE CREATION

In case of a FRAME PLUS VT 464x1822 mm radiator with V09 connection.

The article code will be:

FRPL 464 18 V09 R01 B

ACCESSORIES



Elegant square manual valve kit painted pure white R01

Copper connection \varnothing 12/14/15
Art. Nr. 5991990310553

Multilayer connection \varnothing 16
Art. Nr. 5991990310552



Tinta valve pipe centres 50 mm with thermostatic head - right

Copper connection \varnothing 12/14/15
Art. Nr. 5991990311217

Multilayer connection \varnothing 16
Art. Nr. 5991990311216



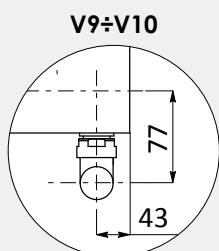
Towel bar verniciato FOR MODELS

L. 352 (L= 404 mm)
Art. Nr. 5991990310565

L. 464 (L= 516 mm)
Art. Nr. 5991990310566

L. 576 (L= 628 mm)
Art. Nr. 5991990310567

L. 688 (L= 740 mm)
Art. Nr. 5991990310568



Measures for Elegant square manual valve



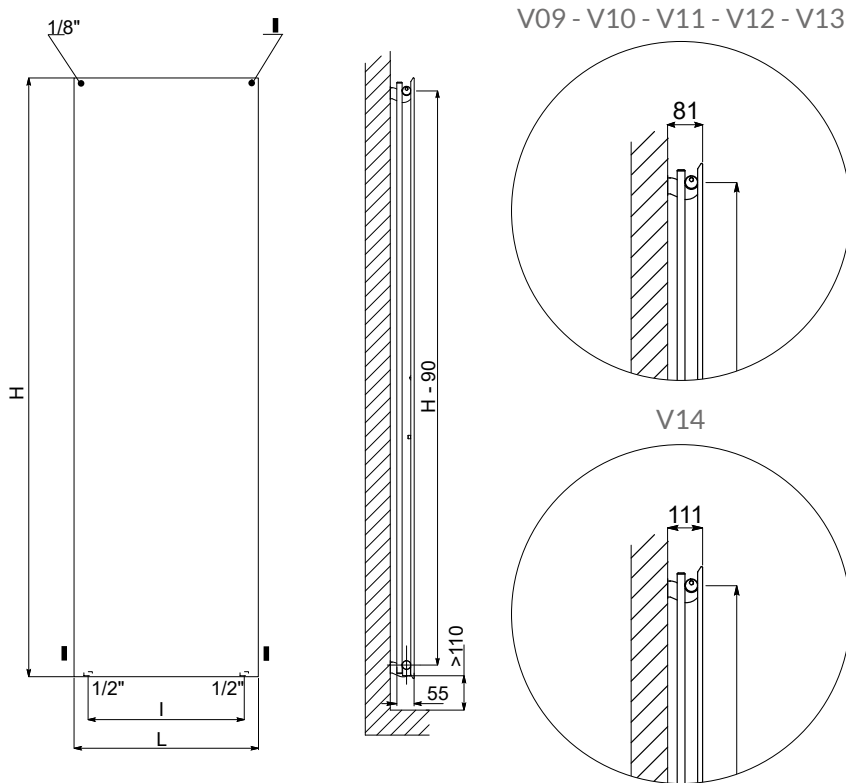
Kit 3 Towel bar verniciati FOR MODELS

L. 352 (L= 404 mm)
Art. Nr. 5991990310569

L. 464 (L= 516 mm)
Art. Nr. 5991990310570

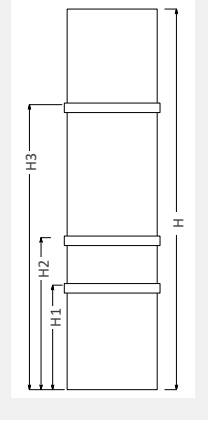
L. 576 (L= 628 mm)
Art. Nr. 5991990310571

L. 688 (L= 740 mm)
Art. Nr. 5991990310572

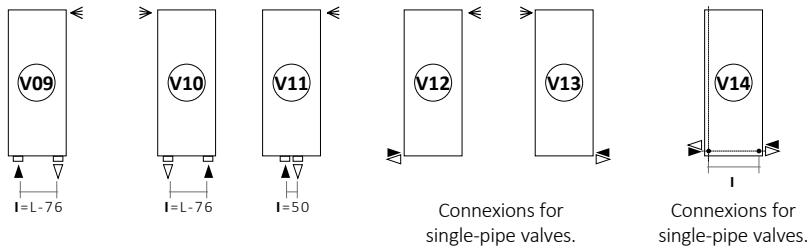


POSITIONING OF TOWEL BAR (ACCESSORIES)

H	H1	H2	H3
[mm]			
1022	300	500	800
1222	400	600	1000
1422	400	700	1200
1622	500	800	1300
1822	500	800	1400
2022	500	800	1500



Standard Connexions



Always specify the kind of connection needed when ordering (V09 - V10 - V11 - V12 - V13 - V14).

Legend =
 ▶ In ▷ Out ≪ Airvent
 | Pipe Centres L Width □ Connection

FRAME PLUS VERTICAL

DDD: replace with the type of connection.

Art. Nr.	Height	Width	Pipe Centres (V09-V10)	Pipe Centres (V14)	Dry Weight [Kg]	Surface [m ²]	Water Content [lt]	Thermal output Watt		Exponent n
	H [mm]	L [mm]	I [mm]	I [mm]				Δt = 50°C	Δt = 30°C	
FRPL 352 10 DDD R01 B	1022	352	276	168	14,3	1,35	4,5	580	296	1,3152
FRPL 464 10 DDD R01 B		464	388	280	20,2	1,84	6,3	790	404	1,3152
FRPL 576 10 DDD R01 B		576	500	392	25,0	2,32	7,8	999	510	1,3152
FRPL 688 10 DDD R01 B		688	612	504	28,6	2,81	9,0	1209	618	1,3152
FRPL 352 12 DDD R01 B	1222	352	276	168	17,1	1,61	5,3	691	353	1,31355
FRPL 464 12 DDD R01 B		464	388	280	24,1	2,19	7,5	940	481	1,31355
FRPL 576 12 DDD R01 B		576	500	392	29,8	2,77	9,3	1190	608	1,31355
FRPL 688 12 DDD R01 B		688	612	504	34,2	3,35	10,7	1439	736	1,31355
FRPL 352 14 DDD R01 B	1422	352	276	168	19,9	1,86	6,2	801	415	1,2867
FRPL 464 14 DDD R01 B		464	388	280	28,0	2,54	8,8	1091	565	1,2867
FRPL 576 14 DDD R01 B		576	500	392	34,7	3,21	10,8	1381	716	1,2867
FRPL 688 14 DDD R01 B		688	612	504	39,7	3,88	12,4	1670	865	1,2867
FRPL 352 16 DDD R01 B	1622	352	276	168	23,9	2,17	7,5	930	476	1,3117
FRPL 464 16 DDD R01 B		464	388	280	31,9	2,89	10,0	1241	635	1,3117
FRPL 576 16 DDD R01 B		576	500	392	39,8	3,61	12,5	1551	794	1,3117
FRPL 352 18 DDD R01 B	1822	352	276	168	25,4	2,38	7,9	1022	523	1,3105
FRPL 464 18 DDD R01 B		464	388	280	35,7	3,24	11,2	1455	745	1,3105
FRPL 576 18 DDD R01 B		576	500	392	45,1	4,10	13,7	1819	931	1,3105
FRPL 688 18 DDD R01 B		688	612	504	50,8	4,96	15,9	2132	1092	1,3105
FRPL 352 20 DDD R01 B	2022	352	276	168	28,2	2,63	8,8	1133	580	1,3093
FRPL 464 20 DDD R01 B		464	388	280	39,5	3,59	12,3	1568	803	1,3093
FRPL 576 20 DDD R01 B		576	500	392	49,9	4,54	15,0	1960	1004	1,3093
FRPL 688 20 DDD R01 B		688	612	504	56,4	5,49	17,6	2363	1211	1,3093

Art. Nr. are referred to colour WHITE R01 version.

For output at different Δt than 50°C, please refer to the following formula: desired output = output at Δt 50°C x (desired Δt/50)ⁿ