



FRAME MAX VERTICAL



5 YEARS WARRANTY

MATERIAL:

Horizontal collector in painted mild steel with \varnothing of 30 mm
 Heating elements in painted mild steel
 Heating plate in painted mild steel

FIXING KIT:

Brackets, airvent, hexagonal tool, plugs and screws suitable for use on compact or hollow brick, installation notice.

PACKAGING:

The radiator is protected by a film in polyethylene and with a carton box.
 Use and maintenance notice included.

PAINTING PROCESS:

Painted with ecological epoxy. (Certificate DIN 55900-1,-2).
 Thermal outputs certified in accredited laboratories in compliance with European norm EN442.

COLORS:

Radiators and accessories: standard white R01 color.
 For other colors see color chart.

PRODUCT CERTIFICATES



P. max: 5 bar

T. max: 110° C

Available for central heating systems

Connections: n° 2 x G 1/2" - n° 1 x G 1/8"

HOW TO ORDER THE VERTICAL FRAME MAX RADIATORS

ARTICLE CODE STRUCTURE

Radiator model	Radiator dimensions	Article code of the connection	Article code of the color/finish Different color from standard (R01 - R02) surcharge +30%	Constant value
AAAA	BBB CC	DDD	EEE	B

Example

Radiator model Example: Frame radiator Max	Radiator dimensions Example: mm 464x1822	Article code of the connection Example: connection V11	Article code of the finish Example: White color R01	Constant value
FRMX	464 18	V11	R01	B

EXAMPLE OF ARTICLE CODE CREATION

In case of a FRAME MAX 464x1822 mm, with V11 connection.

The article code will be:

FRMX 464 18 V11 R01 B

ACCESSORIES



Elegant square manual valve kit painted pure white R01

Copper connection \varnothing 12/14/15
 Art. Nr. 5991990310553

Multilayer connection \varnothing 16 x2
 Art. Nr. 5991990310552



Elegant square pipe centres 50 mm valve kit painted pure white R01 with thermostatic head - right

Copper connection \varnothing 12/14/15
 Art. Nr. 5991990310543

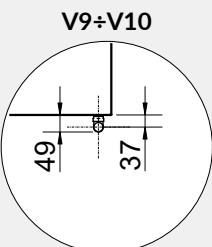
Multilayer connection \varnothing 16 x2
 Art. Nr. 5991990310542



Tinta valve pipe centres 50 mm with thermostatic head - right - with pipe covering kit - pure white R01

Copper connection \varnothing 12/14/15
 Art. Nr. 5991990311243

Multilayer connection \varnothing 16 x2
 Art. Nr. 5991990311242



Measures for Elegant square manual valve



Pipe covering kit for polished valves

Art. Nr. 5103000000044



Towel bar painted for models

L. 352 (L= 404 mm)
 Art. Nr. 5991990310565

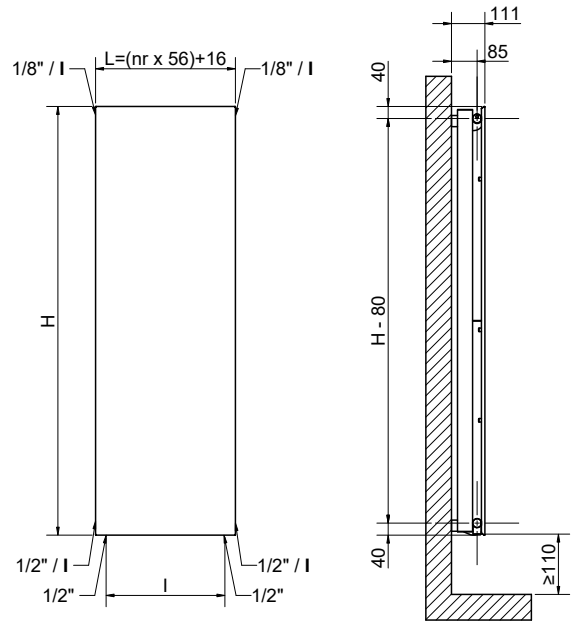
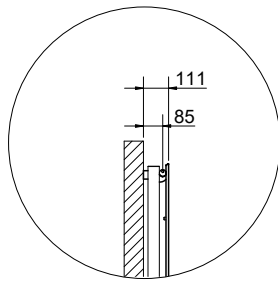
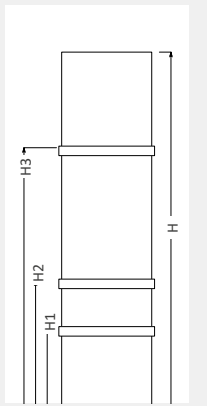
L. 464 (L= 516 mm)
 Art. Nr. 5991990310566

L. 576 (L= 628 mm)
 Art. Nr. 5991990310567

L. 688 (L= 740 mm)
 Art. Nr. 5991990310568

POSITIONING OF TOWEL BAR (ACCESSORIES)

H	H1	H2	H3
[mm]			
1022	300	500	800
1222	400	600	1000
1422	400	700	1200
1622	500	800	1300
1822	500	800	1400
2022	500	800	1500



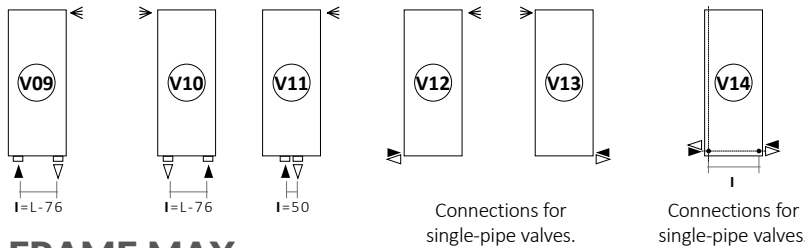
SIDE COVER FRAME MAX

Art. Nr.	Height H [mm]
510300000130	1022
510300000131	1222
510300000132	1422
510300000133	1622
510300000134	1822
510300000135	2022



Art. Nr. referred to WHITE R01 color version.

Standard connections



Always specify the kind of connection needed when ordering (V09- V10- V11- V12- V13- V14).

Legend =
 ► In ▷ Out ◁ Airvent
 | Pipe Centres L Width □ Connection
DDD: replace with the type of connection.

FRAME MAX VERTICAL

Art. Nr.	Height	Width	Pipe Centres	Pipe Centres	Dry Weight	Surface	Water Content	Thermal output Watt		Exponent n
	H [mm]		(V09 - V10)	(V14)				Δt = 50°C	Δt = 30°C	
FRMX 352 10 DDD R01 B	1022	352	282	168	18,2	2,238	7,8	811	413	1,31970
FRMX 464 10 DDD R01 B		464	394	280	24,2	2,984	10,4	1081	551	1,31970
FRMX 576 10 DDD R01 B		576	506	392	30,2	3,73	13,0	1352	689	1,31970
FRMX 688 10 DDD R01 B		688	618	504	36,2	4,476	15,5	1622	827	1,31970
FRMX 352 12 DDD R01 B	1222	352	282	168	23,5	2,67	9,0	948	483	1,31910
FRMX 464 12 DDD R01 B		464	394	280	31,3	3,56	11,9	1265	645	1,31910
FRMX 576 12 DDD R01 B		576	506	392	39,0	4,45	14,9	1581	806	1,31910
FRMX 688 12 DDD R01 B		688	618	504	46,7	5,34	17,9	1897	967	1,31910
FRMX 352 14 DDD R01 B	1422	352	282	168	28,9	3,102	10,1	1082	552	1,31850
FRMX 464 14 DDD R01 B		464	394	280	38,3	4,136	13,5	1443	736	1,31850
FRMX 576 14 DDD R01 B		576	506	392	47,8	5,17	16,9	1804	920	1,31850
FRMX 688 14 DDD R01 B		688	618	504	57,3	6,204	20,3	2164	1104	1,31850
FRMX 352 16 DDD R01 B	1622	352	282	168	34,2	3,534	11,3	1213	619	1,31790
FRMX 464 16 DDD R01 B		464	394	280	45,4	4,712	15,1	1617	825	1,31790
FRMX 576 16 DDD R01 B		576	506	392	56,6	5,89	18,9	2021	1031	1,31790
FRMX 352 18 DDD R01 B		1822	352	282	168	39,5	3,966	12,5	1341	677
FRMX 464 18 DDD R01 B	464		394	280	52,4	5,288	16,7	1788	902	1,33810
FRMX 576 18 DDD R01 B	576		506	392	65,4	6,61	20,8	2234	1128	1,33810
FRMX 688 18 DDD R01 B	688		618	504	78,4	7,932	25,0	2681	1354	1,33810
FRMX 352 20 DDD R01 B	2022	352	282	168	44,8	4,398	13,7	1466	748	1,31670
FRMX 464 20 DDD R01 B		464	394	280	59,5	5,864	18,3	1955	998	1,31670
FRMX 576 20 DDD R01 B		576	506	392	74,2	7,33	22,8	2443	1247	1,31670
FRMX 688 20 DDD R01 B		688	618	504	88,9	8,796	27,4	2932	1496	1,31670

Art. Nr. referred to WHITE R01 color version.

For output at different Δt than 50°C, please refer to the following formula = desired output = output at Δt 50°C x (desired Δt/50)^n