



# FRAME INOX<sub>HORIZONTAL</sub>

**EUROPEAN  
WARRANTY**

## MATERIAL:

Vertical collectors in painted carbon steel with  $\varnothing$  of 30 mm  
Heating elements in painted carbon steel  
Heating plate in polished stainless steel

## FIXING KIT:

Brackets, airvent, hexagonal tool, plugs and screws for mounting suitable for use on compact or hollow brick, user notice.  
The kit is certified from TÜV in compliance with VDI 6036-class 4.

## PACKAGING:

The radiator is protected by a film in polyethylene and with a carton box.  
User notice included.

## FEATURES:

Heating plate is totally made in stainless steel with an unalterable finishing.  
Brightness guaranteed during the years.

## PRODUCT CERTIFICATES



Pression maximale de service: 5 bar

Température maximale de service: 110° C

Available for central heating systems

Connexions: n° 2 x 1/2" gaz - n° 1 x 1/2" gaz

## HOW TO ORDER THE HORIZONTAL FRAME INOX RADIATORS

### ARTICLE CODE STRUCTURE

Radiator model	Radiator dimensions	Article code of the connection	Article code of the color / finish	Constant value
AAAA	BBB CC	DDD	EEE	B

### Example

Radiator model Example: Frame radiator	Radiator dimensions Example: mm 464x1822	Article code of the connection Example: connection H01	Article code of the finish Example: Polished stainless steel	Constant value
FRST	464 18	H01	X01	B

### EXAMPLE OF ARTICLE CODE CREATION

In case of a FRAME INOX OR 464x1822 mm, with H01 connection.

The article code will be:

**FRST 464 18 H01 X01 B**

## ACCESSORIES

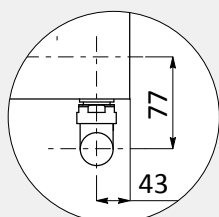


### Elegant square manual polished valve kit

Copper connection  $\varnothing$  12/14/15  
Art. Nr. 5991990301084

Multilayer connection  $\varnothing$  16  
Art. Nr. 5991990301083

V9÷V10



Measures for Elegant square manual valve



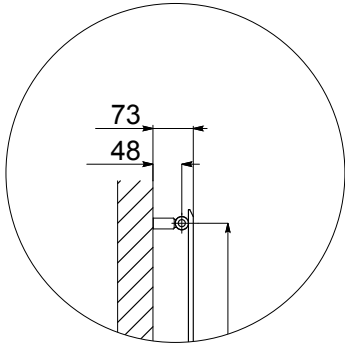
### Manual wall-fit valves

Fitting for wall-fit valves  
Copper connection  $\varnothing$  12/14/15  
Art. Nr. 5991170300001

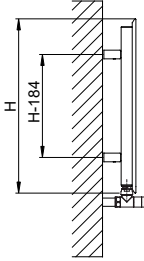
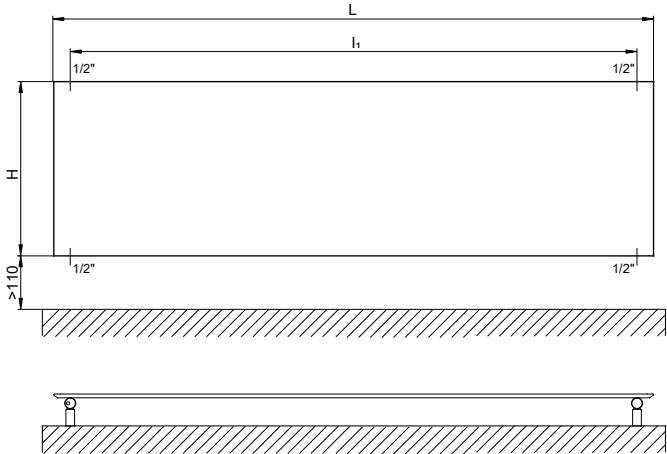
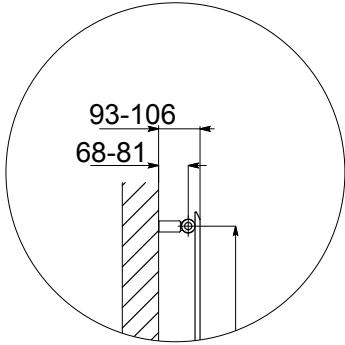
Fitting for wall-fit valves  
Multilayer connection  $\varnothing$  16  
Art. Nr. 5991170300002

Wall-fit valves  
Art. Nr. 5991990311226

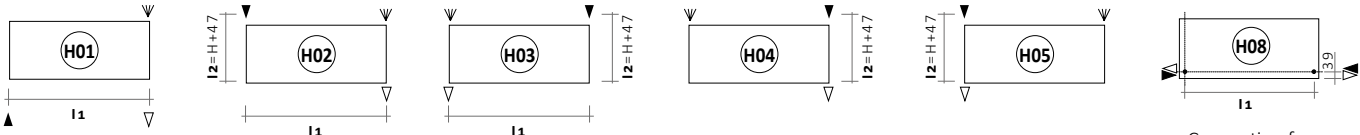
H01 - H02 - H03 - H04 - H05



H08



Standard Connexions



Always specify the kind of connection needed when ordering (from H1 to H8).

Legend = ► In ▷ Out ◀ Airvent H Height I Pipe Centres L Width □ Connection

FRAME INOX HORIZONTAL - POLISHED STAINLESS STEEL

DDD: replace with the type of connection.

Art. Nr.	Width L [mm]	Height H [mm]	Pipe Centres		Dry Weight [Kg]	Surface [m <sup>2</sup> ]	Water Content [lt]	Thermal output Watt		Exponent n
			(H01-H02- H03-H08) l1 [mm]	(H02-H03- H04-H05) l2 [mm]				Δt = 50°C	Δt = 30°C	
FRST 352 10 DDD X01 B	1022	352	942	399	7,2	0,75	2,64	381	197	1,2894
FRST 464 10 DDD X01 B		464	942	511	9,7	0,98	3,5	499	258	1,2894
FRST 576 10 DDD X01 B		576	942	623	12,0	1,21	4,4	617	319	1,2894
FRST 688 10 DDD X01 B		688	942	735	14,6	1,44	5,2	735	380	1,2894
FRST 352 12 DDD X01 B	1222	352	1142	399	8,6	0,89	3,02	455	236	1,2881
FRST 464 12 DDD X01 B		464	1142	511	11,4	1,17	4,0	596	309	1,2881
FRST 576 12 DDD X01 B		576	1142	623	14,0	1,44	5,1	736	381	1,2881
FRST 688 12 DDD X01 B		688	1142	735	17,2	1,72	6,1	877	454	1,2881
FRST 352 14 DDD X01 B	1422	352	1342	399	9,9	1,04	3,5	529	274	1,2867
FRST 464 14 DDD X01 B		464	1342	511	13,2	1,36	4,6	692	359	1,2867
FRST 576 14 DDD X01 B		576	1342	623	16,5	1,68	5,9	856	444	1,2867
FRST 688 14 DDD X01 B		688	1342	735	19,8	2,00	7,0	1020	529	1,2867
FRST 352 16 DDD X01 B	1622	352	1542	399	11,2	1,16	3,8	595	309	1,2854
FRST 464 16 DDD X01 B		464	1542	511	14,9	1,55	5,2	789	409	1,2854
FRST 576 16 DDD X01 B		576	1542	623	18,6	1,94	6,8	976	506	1,2854
FRST 352 18 DDD X01 B		1822	352	1742	399	12,5	1,33	4,37	676	351
FRST 464 18 DDD X01 B	464		1742	511	16,6	1,74	5,8	880	457	1,2840
FRST 576 18 DDD X01 B	576		1742	623	20,9	2,15	7,2	1100	571	1,2840
FRST 688 18 DDD X01 B	688		1742	735	25,0	2,56	8,7	1304	677	1,2840
FRST 352 20 DDD X01 B	2022	352	1942	399	13,5	1,47	4,85	750	390	1,2826
FRST 464 20 DDD X01 B		464	1942	511	18,4	1,93	6,4	978	508	1,2826
FRST 576 20 DDD X01 B		576	1942	623	23,0	2,38	8,0	1222	635	1,2826
FRST 688 20 DDD X01 B		688	1942	735	27,6	2,84	9,6	1447	751	1,2826

For output at different Δt than 50°C, please refer to the following formula: desired output = output at Δt 50°C x (desired Δt/50)<sup>n</sup>