



FRAME INOX DECOR VERTICAL

artwork **Mariano Moroni**

**EUROPEAN
WARRANTY**

MATERIAL:

Horizontal collector in painted carbon steel with \varnothing of 30 mm
Heating elements in painted carbon steel
Heating plate in stainless steel with satin décor on polished background

FIXING KIT:

Brackets, airvent, hexagonal tool, plugs and screws for mounting suitable for use on compact or hollow brick, user notice.
The kit is certified from TÜV in compliance with VDI 6036-class 4.

PACKAGING:

The radiator is protected by a film in polyethylene and with a carton box.
User notice included.

FEATURES:

Heating plate is totally made in stainless steel with an unalterable finishing.
Brightness guaranteed during the years.

PRODUCT CERTIFICATES



Pression maximale de service: 5 bar

Température maximale de service: 110° C

Available for central heating systems

Connexions: n° 2 x 1/2" gaz - n° 1 x 1/8" gaz

HOW TO ORDER THE VERTICAL FRAME INOX DECOR RADIATORS

ARTICLE CODE STRUCTURE

Radiator model	Radiator dimensions	Article code of the connection	Article code of the color / finish	Constant value
AAAA	BBB CC	DDD	EEE	B

Example

Radiator model Example: Frame radiator	Radiator dimensions Example: mm 464x1822	Article code of the connection Example: V09 connection V09	Article code of the finish Example: Inox Decor	Constant value
FRST	464 18	V09	X03	B

EXAMPLE OF ARTICLE CODE CREATION

In case of a FRAME INOX DECOR VT 464x1822 mm radiator with V09 connection.

The article code will be:

FRST 464 18 V09 X03 B

ACCESSORIES



Elegant square manual polished valve kit

Copper connection \varnothing 12/14/15
Art. Nr. 5991990301084

Multilayer connection \varnothing 16
Art. Nr. 5991990301083



Elegant square polished valve kit pipe centres 50 mm with thermostatic head - right

Copper connection \varnothing 12/14/15
Art. Nr. 5991990301076

Multilayer connection \varnothing 16
Art. Nr. 5991990301075



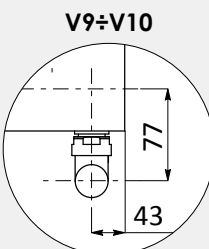
Straight hanger polished FOR MODELS

L. 352 (L= 404 mm)
Art. Nr. 5991990300187

L. 464 (L= 516 mm)
Art. Nr. 5991990300183

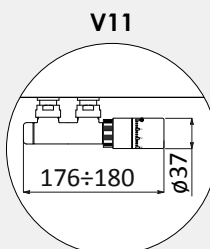
L. 576 (L= 628 mm)
Art. Nr. 5991990300184

L. 688 (L= 740 mm)
Art. Nr. 5991990300188



V9÷V10

Measures for Elegant square manual valve



V11

Measures for valves type Cordivari Elegant Square with thermostatic head and pipe centres 50 mm



Kit 3 Straight hanger polished FOR MODELS

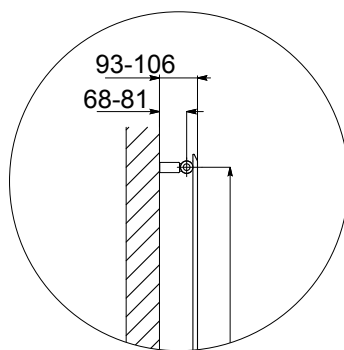
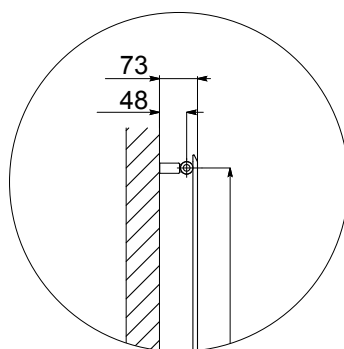
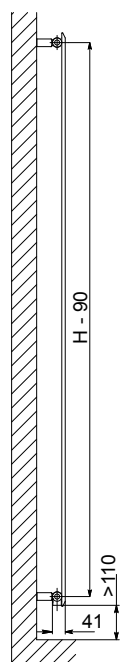
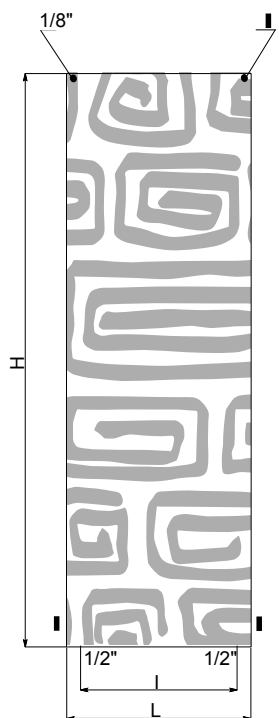
L. 352 (L= 404 mm)
Art. Nr. 5991990300189

L. 464 (L= 516 mm)
Art. Nr. 5991990300185

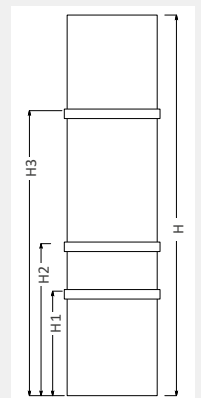
L. 576 (L= 628 mm)
Art. Nr. 5991990300186

L. 688 (L= 740 mm)
Art. Nr. 5991990300190

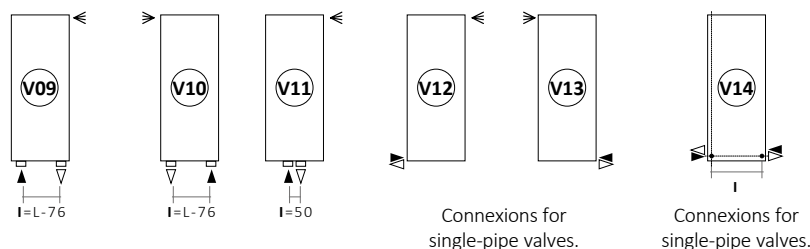
V09 - V10 - V11 - V12 - V13

POSITIONING OF
TOWEL BAR
(ACCESSORIES)

H	H1	H2	H3
[mm]			
1022	300	500	800
1222	400	600	1000
1422	400	700	1200
1622	500	800	1300
1822	500	800	1400
2022	500	800	1500



Standard Connexions



Always specify the kind of connection needed when ordering (V09 - V10 - V11 - V12 - V13 - V14).

Legend =

▶ In ▷ Out ≪ Airvent
 | Pipe Centres L Width □ Connection

FRAME INOX DECOR VERTICAL

DDD: replace with the type of connection.

Art. Nr.	Height	Width	Pipe Centres (V09 - V10)	Pipe Centres (V14)	Dry Weight	Surface	Water Content	Thermal output Watt		Exponent n
	H [mm]	L [mm]	I [mm]	I [mm]				Δt = 50°C	Δt = 30°C	
FRST 352 10 DDD X03 B	1022	352	276	168	7,2	0,75	2,64	381	197	1,2894
FRST 464 10 DDD X03 B		464	388	280	9,7	0,98	3,5	499	258	1,2894
FRST 576 10 DDD X03 B		576	500	392	12	1,21	4,4	617	319	1,2894
FRST 688 10 DDD X03 B		688	612	504	14,6	1,44	5,2	735	380	1,2894
FRST 352 12 DDD X03 B	1222	352	276	168	8,6	0,89	3,02	455	236	1,2881
FRST 464 12 DDD X03 B		464	388	280	11,4	1,17	4	596	309	1,2881
FRST 576 12 DDD X03 B		576	500	392	14	1,44	5,1	736	381	1,2881
FRST 688 12 DDD X03 B		688	612	504	17,2	1,72	6,1	877	454	1,2881
FRST 352 14 DDD X03 B	1422	352	276	168	9,9	1,04	3,5	529	274	1,2867
FRST 464 14 DDD X03 B		464	388	280	13,2	1,36	4,6	692	359	1,2867
FRST 576 14 DDD X03 B		576	500	392	16,5	1,68	5,9	856	444	1,2867
FRST 688 14 DDD X03 B		688	612	504	19,8	2,00	7,00	1020	529	1,2867
FRST 352 16 DDD X03 B	1622	352	276	168	11,2	1,16	3,8	595	309	1,2854
FRST 464 16 DDD X03 B		464	388	280	14,9	1,55	5,2	789	409	1,2854
FRST 576 16 DDD X03 B		576	500	392	18,6	1,94	6,8	976	506	1,2854
FRST 352 18 DDD X03 B	1822	352	276	168	12,5	1,33	4,37	676	351	1,2840
FRST 464 18 DDD X03 B		464	388	280	16,6	1,74	5,8	880	457	1,2840
FRST 576 18 DDD X03 B		576	500	392	20,9	2,15	7,2	1100	571	1,2840
FRST 688 18 DDD X03 B		688	612	504	25	2,56	8,7	1304	677	1,2840
FRST 352 20 DDD X03 B	2022	352	276	168	13,5	1,47	4,85	750	390	1,2826
FRST 464 20 DDD X03 B		464	388	280	18,4	1,93	6,4	978	508	1,2826
FRST 576 20 DDD X03 B		576	500	392	23	2,38	8	1222	635	1,2826
FRST 688 20 DDD X03 B		688	612	504	27,6	2,84	9,6	1447	751	1,2826

For output at different Δt than 50°C, please refer to the following formula: desired output = output at Δt 50°C x (desired Δt/50)ⁿ