



FRAME HORIZONTAL

EUROPEAN
WARRANTY

MATERIAL:

Vertical collectors in painted carbon steel with \varnothing of 30 mm
Heating elements in painted carbon steel
Heating plate in painted carbon steel

FIXING KIT:

Brackets, airvent, hexagonal tool, plugs and screws for mounting suitable for use on compact or hollow brick, user notice.
The kit is certified from TÜV in compliance with VDI 6036-class 4.

PACKAGING:

The radiator is protected by a film in polyethylene and with a carton box.
User notice included.

PAINTING PROCESS:

Painted with ecological epoxy. (Certificate DIN 55900-1,-2).
Thermal outputs certified in accredited laboratories in compliance with European norm EN442.

COLOURS:

Radiator and accessories: standard white colour R01.

PRODUCT CERTIFICATES



Pression maximale de service: 5 bar

Température maximale de service: 110° C

Available for central heating systems

Connexions: n° 2 x 1/2" gaz - n° 1 x 1/2" gaz

HOW TO ORDER THE HORIZONTAL FRAME RADIATORS

ARTICLE CODE STRUCTURE

Radiator model	Radiator dimensions	Article code of the connection	Article code of the color / finish Different color from standard (R01 - R02) surcharge +30%	Constant value
AAAA	BBB CC	DDD	EEE	B

Example

Radiator model Example: Frame radiator	Radiator dimensions Example: mm 464x1822	Article code of the connection Example: connection H01	Article code of the finish Example: White color R01	Constant value
FRST	464 18	H01	R01	B

EXAMPLE OF ARTICLE CODE CREATION

In case of a FRAME OR white 464x1822 mm, with H01 connection.

The article code will be:

FRST 464 18 H01 R01 B

ACCESSORIES



Elegant square manual valve kit painted pure white R01

Copper connection \varnothing 12/14/15
Art. Nr. 5991990310553

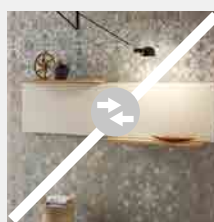
Multilayer connection \varnothing 16
Art. Nr. 5991990310552

FRAME HORIZONTAL with wall-fit valves



LYNEA ACCESSORIES

by Marco Pisati



TOP wood shelf L. 800 mm

BOTTOM wood shelf L. 800 mm

Whitened Oak

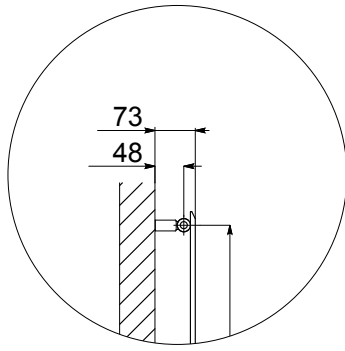
Art. Nr. 5991990500031

Whitened Oak

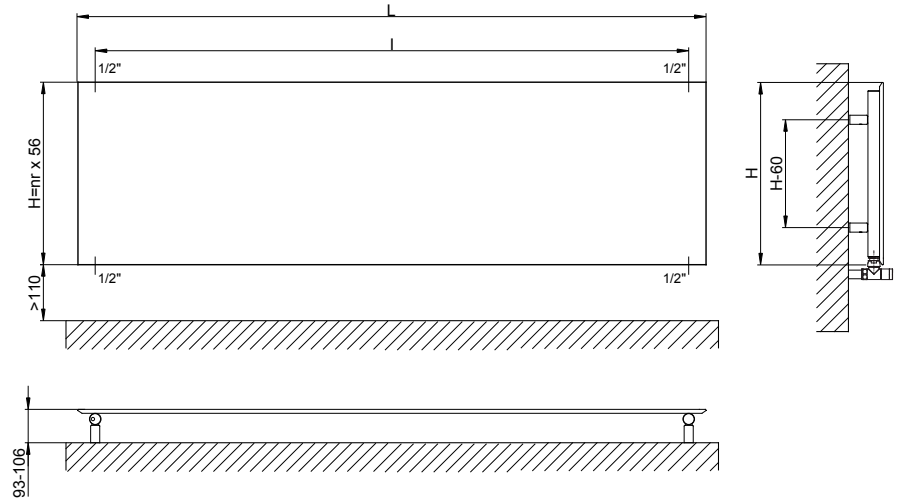
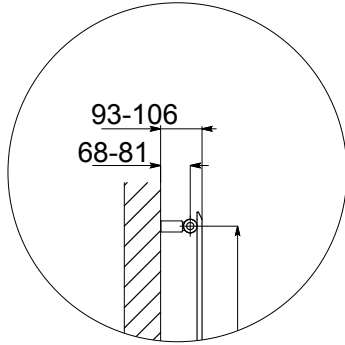
Art. Nr. 5991990500034

Adjustable shelves

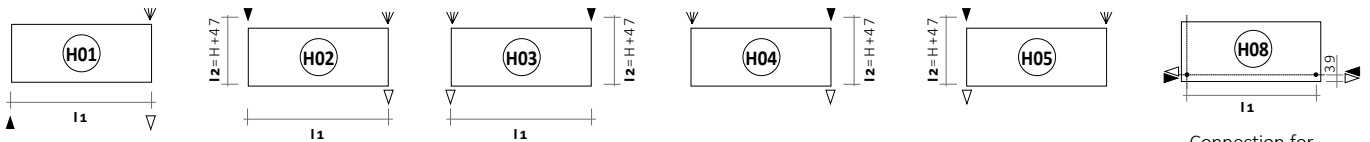
H01 - H02 - H03 - H04 - H05



H08



Standard Connexions



Connection for wall-fit valves.

Always specify the kind of connection needed when ordering (from H1 to H8).

Legend = ► In ◄ Out ◀ Airvent H Height l Pipe Centres L Width □ Connection

FRAME HORIZONTAL

DDD: replace with the type of connection.

Art. Nr.	Width L [mm]	Height H [mm]	Pipe Centres		Dry Weight [Kg]	Surface [m ²]	Water Content [lt]	Thermal output Watt		Exponent n
			(H01-H02- H03-H08) l1 [mm]	(H02-H03- H04-H05) l2 [mm]				Δt = 50°C	Δt = 30°C	
FRST 352 10 DDD R01 B	1022	352	942	399	7,2	0,75	2,64	381	197	1,2894
FRST 464 10 DDD R01 B		464	942	511	9,7	0,98	3,5	499	258	1,2894
FRST 576 10 DDD R01 B		576	942	623	12,0	1,21	4,4	617	319	1,2894
FRST 688 10 DDD R01 B		688	942	735	14,6	1,44	5,2	735	380	1,2894
FRST 352 12 DDD R01 B	1222	352	1142	399	8,6	0,89	3,02	455	236	1,2881
FRST 464 12 DDD R01 B		464	1142	511	11,4	1,17	4,0	596	309	1,2881
FRST 576 12 DDD R01 B		576	1142	623	14,0	1,44	5,1	736	381	1,2881
FRST 688 12 DDD R01 B		688	1142	735	17,2	1,72	6,1	877	454	1,2881
FRST 352 14 DDD R01 B	1422	352	1342	399	9,9	1,04	3,5	529	274	1,2867
FRST 464 14 DDD R01 B		464	1342	511	13,2	1,36	4,6	692	359	1,2867
FRST 576 14 DDD R01 B		576	1342	623	16,5	1,68	5,9	856	444	1,2867
FRST 688 14 DDD R01 B		688	1342	735	19,8	2,00	7,0	1020	529	1,2867
FRST 352 16 DDD R01 B	1622	352	1542	399	11,2	1,16	3,8	595	309	1,2854
FRST 464 16 DDD R01 B		464	1542	511	14,9	1,55	5,2	789	409	1,2854
FRST 576 16 DDD R01 B		576	1542	623	18,6	1,94	6,8	976	506	1,2854
FRST 352 18 DDD R01 B	1822	352	1742	399	12,5	1,33	4,37	676	351	1,2840
FRST 464 18 DDD R01 B		464	1742	511	16,6	1,74	5,8	880	457	1,2840
FRST 576 18 DDD R01 B		576	1742	623	20,9	2,15	7,2	1100	571	1,2840
FRST 688 18 DDD R01 B		688	1742	735	25,0	2,56	8,7	1304	677	1,2840
FRST 352 20 DDD R01 B	2022	352	1942	399	13,5	1,47	4,85	750	390	1,2826
FRST 464 20 DDD R01 B		464	1942	511	18,4	1,93	6,4	978	508	1,2826
FRST 576 20 DDD R01 B		576	1942	623	23,0	2,38	8,0	1222	635	1,2826
FRST 688 20 DDD R01 B		688	1942	735	27,6	2,84	9,6	1447	751	1,2826

Art. Nr. are referred to colour WHITE R01 version.

For output at different Δt than 50°C, please refer to the following formula: desired output = output at Δt 50°C x (desired Δt/50)ⁿ