



BADGE® ELECTRIC

VERTICAL

design **Simone Micheli**



EUROPEAN WARRANTY

MATERIAL:

Super slim heating body in painted carbon steel.

FIXING KIT:

Brackets, hexagonal tool, plugs and screws for mounting suitable for use on compact or hollow brick, installation notice.

The fixing kit is compliant with VDI 6036 norm, class 4.

PACKAGING:

The radiator is protected by a film in polyethylene and with a carton box. Use and maintenance notice included.

PAINTING PROCESS:

Painted with ecological epoxy. (Certificate DIN 55900-1,-2).

COLOURS:

Radiators and accessories: standard white R01 colour. For other colours see colour chart.

PRODUCT CERTIFICATES



Electrical resistors: CLASS 2

Minimum class protection: IP 44

Seasonal energy efficiency η_s : $\geq 38\%$

Control: Power unit + Digital chrono thermostat in radio frequency

Wire Length:- 1000 mm with Schuko plug

AWARD

DESIGN PLUS

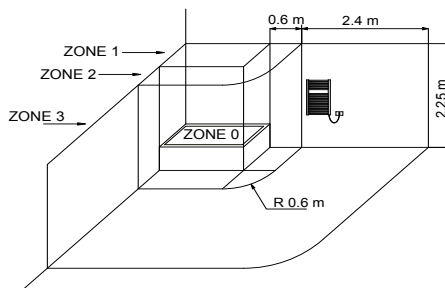
WINNER

COMFORT & DESIGN
AWARD

ŁAZIENKA
AWARD

PRIX DU DESIGN IDÉO BAIN
NOMINÉ

HOW TO PLACE ELECTRIC RADIATORS



The national rules on installing electrical equipment in the bathroom must be scrupulously respected. The electric radiators must be always installed outside zone 1 and 2. In particular the electric switch and control elements must be mandatorily located in zone 3, in order that no electrical control center is accessible to anyone using the shower or bath.

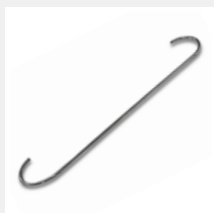


All Cordivari electric radiators are in line with the new European regulation UE 2015/1188. The new regulation imposes a seasonal energy efficiency of electrical appliances for ambient heating with a nominal thermal output over 250 W and not less than 38%.

The seasonal energy efficiency of ambient heating (η_s) is expressed with the ratio between the demand of ambient heating supplied by a heating appliance and the annual energy consumption required to meet this demand, expressed as percentage. The Cordivari ErP is in line with the new Ecodesign directives, which are characterized by a great efficiency combined with the maximum attention to energy saving. In particular the radiators are at least equipped with: electronic temperature control; open window sensor; weekly program timer.

Thanks to the new fully programmable digital thermostats and sensors present on the radiators, now the new Cordivari ErP electric radiators, heat, efficiency and energy saving are the best allies of your comfort.

ACCESSORIES

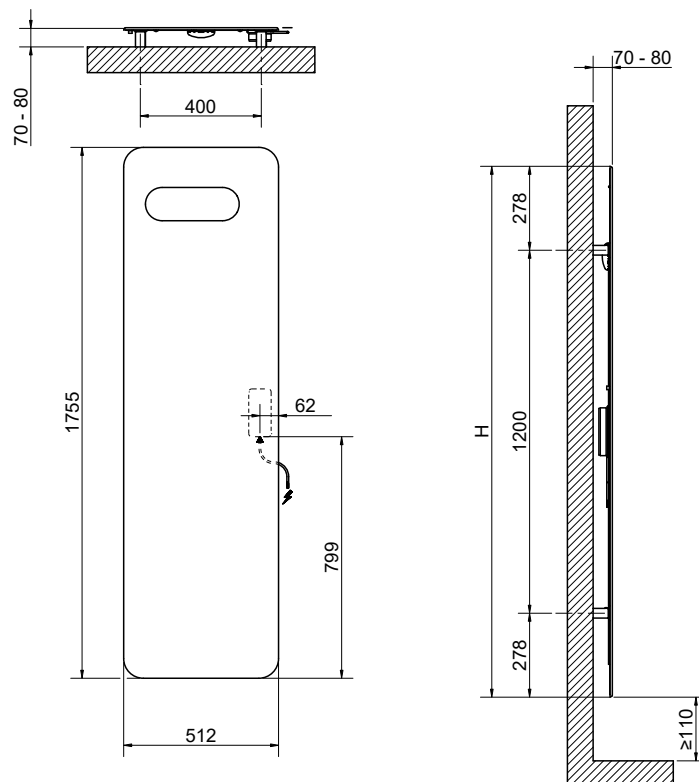
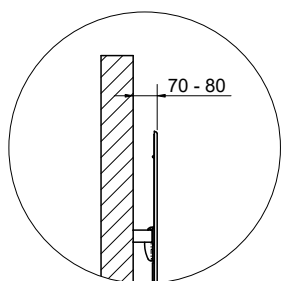


Towel bar in polished stainless steel (L= 570 mm)

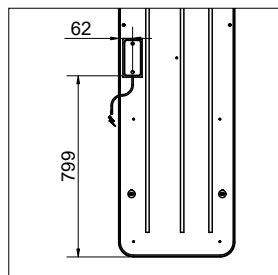
Art. Nr. 5991990310240



Available on vertical BADGE®

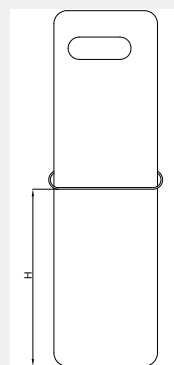


Detail of the control unit



POSIZIONAMENTO
PORTA SALVIETTE
BADGE VERTICAL
(ACCESSORIES)

Model	H
[mm]	
1755x512	870



BADGE® ELECTRIC VERTICAL

Art. Nr.	Height	Width	Thermal output	Peso
	H [mm]	L [mm]	Watt	Kg
DIGITAL CHRONOTHERMOSTAT KIT IN RADIOFREQUENCY SCHUKO PLUG 230V 50HZ CLASS 2				
3582806100007	1755	512	650	28

Art. Nr. are referred to WHITE R01 colour version.

REMOTE-CONTROL



- WEEKLY AND DAILY PROGRAMMING
- OPEN WINDOW SENSOR
- OPERATING MODE SELECTION (AUTO, COMFORT, ECO, FROST PROTECTION)
- BOOST (FORCED START)
- INDICATION OF ENERGY CONSUMPTION
- LOCK / UNLOCK
- LOCK / UNLOCK WITH PIN
- AMBIENT TEMPERATURE LIMITATION
- SURFACE TEMPERATURE LIMITATION
- POSSIBILITY TO CONTROL UP TO 5 DEVICES